



SWBP-BRKT

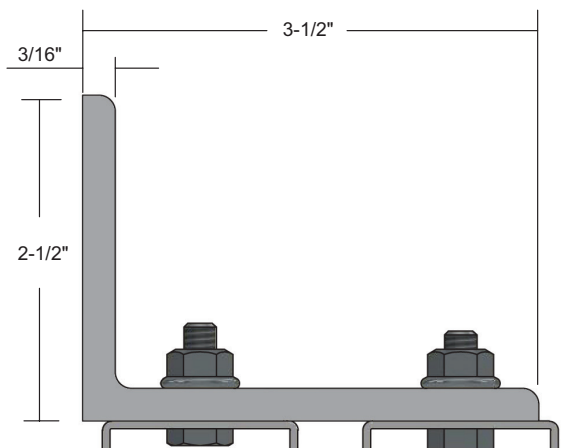
Sliding Door Hardware — Side Wall Mount Bracket

PRODUCT CUT SHEET

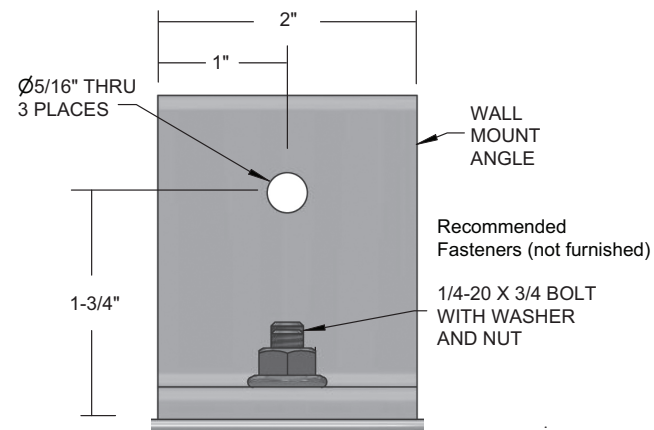
| |
|---------------|
| PROJECT: |
| SUBMITTED BY: |
| DATE: |
| NOTES: |

Side Wall Mount By-Pass Bracket

- 3/16" Steel
- Gray Finish
- Use 3" From Each End and Not More Than 24" on Center



Fasteners not furnished



NGP-SLI-SWBP-BRKT-PCS-0424-A

NATIONAL GUARD PRODUCTS, INC.

MEMPHIS

4985 East Raines Road
Memphis, TN 38118

CARSON CITY

3689 Arrowhead Drive
Carson City, NV 89706

Fax: (800) 255-7874

Email: info@ngp.com

Quotes: quotes@ngp.com

Orders: orders@ngp.com

ngp.com
1-800-NGP-RUSH