



STORM-PRO™ -HR

Low-Profile Hurricane Rated Lite Kit

PRODUCT CUT SHEET

PROJECT:
SUBMITTED BY:
DATE:
NOTES:

For 1 3/4" Doors

- ▶ 18 Ga. Galvanized Steel
- ▶ Mitered and Welded Corners
- ▶ Counter-Sunk Mounting Screw-Holes
- ▶ #8 X 1 3/4" Phillips Head SMS
- ▶ Maximum Order Size: 36" X 72"
- ▶ Available in Uneven and Fractional Sizes
- ▶ Gray Primer (GPZ) Powder Coat Finish
- ▶ 1/2" Laminated Glass: 2 pcs. 3/16" Clear Glass with Clear Bonded Laminate Center
- ▶ 5/8" x .090" Acrylic Conformable Foam Glazing Tape (Both Sides)

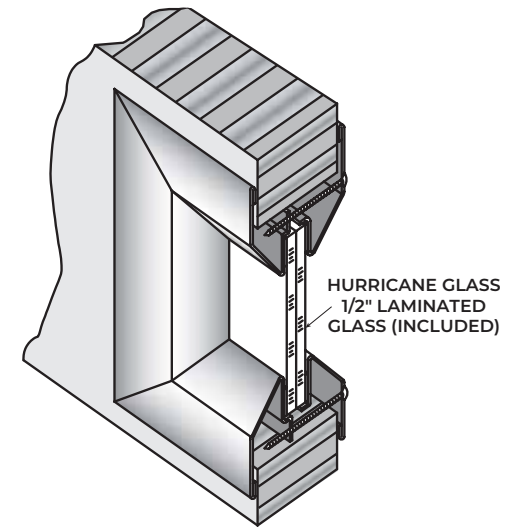
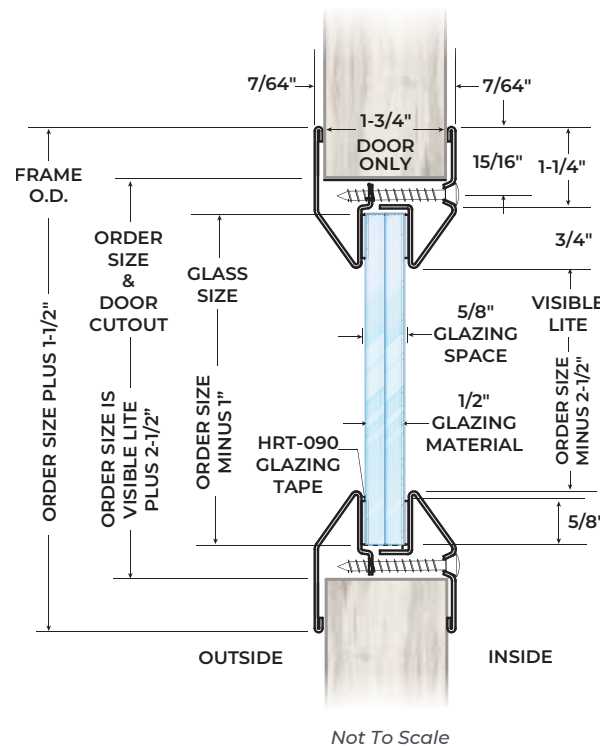
Available Options

- ▶ Powder Coat Color Options - See Color Chart on www.ngp.com
- ▶ Torx Security Screws
- ▶ Zinc Electro-Plating
- ▶ Stainless Steel Type 304, #4 finish - Specify STORM-PRO™ -HR-SS
- ▶ Stainless Steel Type 316, #4 finish - Specify STORM-PRO™ -HR-316SS

Windstorm Rated

- ▶ Light Kit for Use in Windstorm-rated Assembly in accordance with ANSI/ASTM E330, ANSI/ASTM E1886, ASTM E1996, AAMA/WDMA/CSA 101/I.S.2/A440, FEMA 320, FEMA 361 and ICC 500.
Design Pressure = +/- 70 PSF
Large Missile Impact = 350 ft. lbs.
Hazard - Hurricane

This Product is not Rated for Use on Fire-Rated Doors



*Designed for Use on Doors
Manufactured Within Door
Industry Tolerance of +/- 1/16\".*

NGP MEMPHIS
4985 East Raines Road
Memphis, TN 38118
orders@ngp.com

NGP VEGAS
4584 Calimesa Street
Las Vegas, NV 89115
vegasorders@ngp.com

NGP-LIT-STORM-PRO-HR-PCS-0123-A

ngp.com
1-800-NGP-RUSH