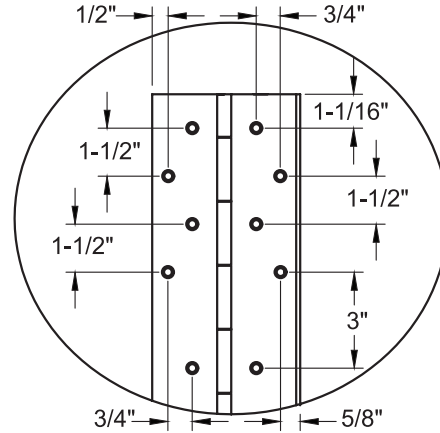
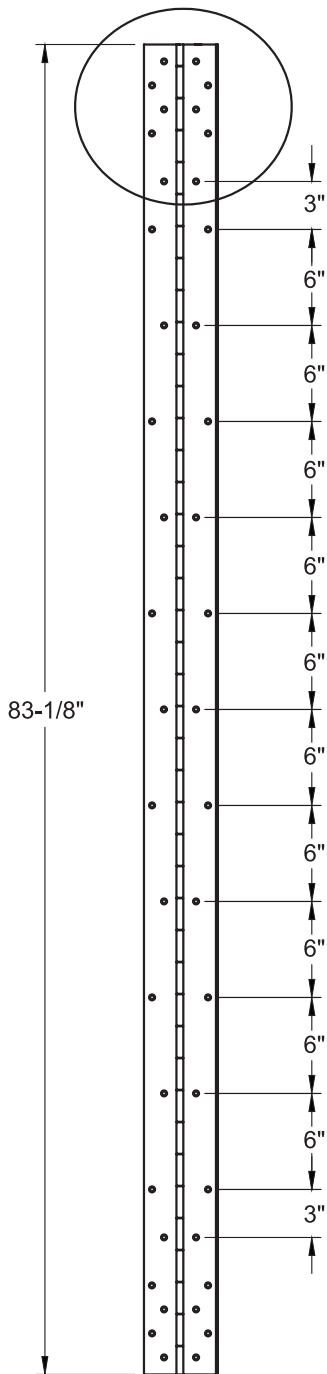
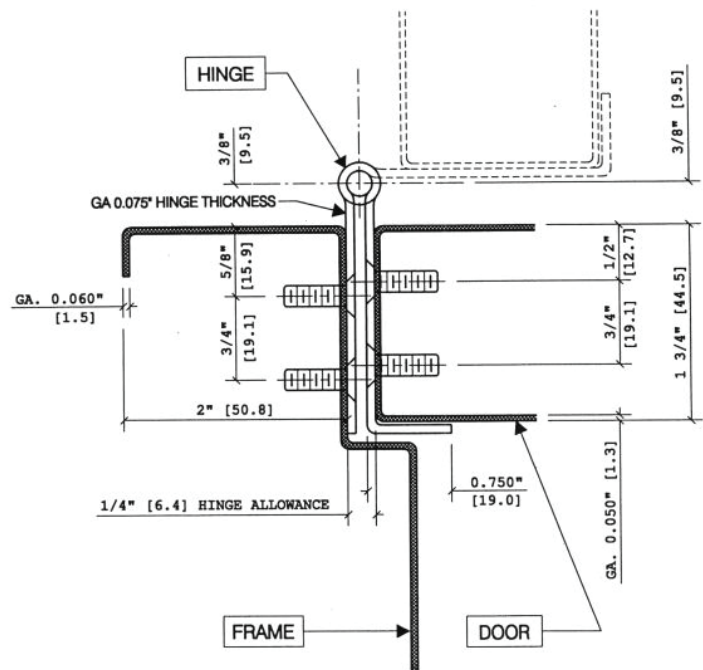


MODEL SS315



HALF WRAP EDGE GUARD (EDGE MOUNT)



Recommended Total Door Under-sizing:
 Single Square Edge Door -3/8" Pair of Doors, each leaf, Square Edge Doors -5/16"
 Single Bevel Edge Door -13/32" Pair of Doors, each leaf, Bevel Edge Doors -11/32"

REV	DESCRIPTION	DATE	APPR'D
A	ORIGINAL		
REVISION HISTORY			
National Guard Products, Inc.			
4985 E. Raines Rd. Memphis TN 38118		Phone: 1 (800) 647-7874 Fax: 1 (800) 255-7874	
TITLE: SS315 83			
DRAWN BY:	SCALE: N/A	DATE:	TEMPLATE NO:

