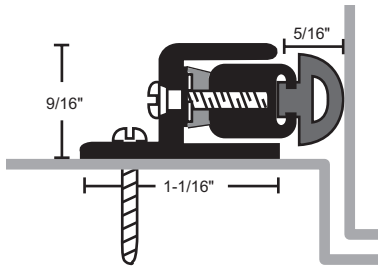


SPRING ADJUSTABLE PERIMETER SEALS

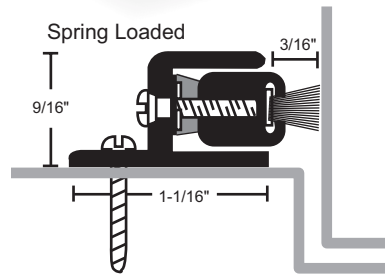
- Adjustment Screws on 10" Centers Allow Adjustment without Re-Positioning Mounting Location
- Spring-Loaded to Maintain Pressure for the Most Effective Seal
- #6 X 3/4" or #6 X 1 1/2" Stainless Sheet Metal Screws Furnished



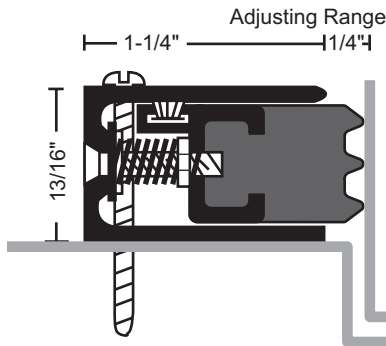
PRODUCT#	INSERT	FINISH
141NA	Black Neoprene	Anodized Aluminum
141NDKB	Black Neoprene	Dark Bronze
141SA	Black Silicone	Anodized Aluminum
141SDKB	Black Silicone	Dark Bronze



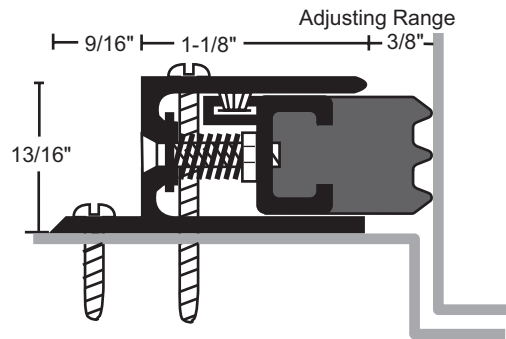
303NA
Anodized Aluminum Spring Adjustable Neoprene Perimeter Seal



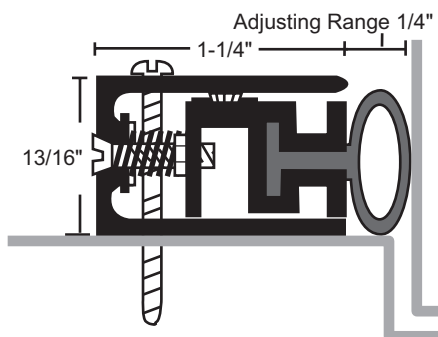
PRODUCT#	INSERT	FINISH
141PA	Gray Pile	Anodized Aluminum
141PDKB	Gray Pile	Dark Bronze



PRODUCT#	INSERT	FINISH
303NA	Black Neoprene	Anodized Aluminum
303NDKB	Black Neoprene	Dark Bronze



PRODUCT#	INSERT	FINISH
304NA	Black Neoprene	Anodized Aluminum
304NDKB	Black Neoprene	Dark Bronze



PRODUCT#	INSERT	FINISH
3038NA	Black Neoprene	Anodized Aluminum
3038NDKB	Black Neoprene	Dark Bronze

