



SLSS1-8-SC

Stainless Steel Sliding Door Hardware — Barn Door Top Mount

PRODUCT CUT SHEET

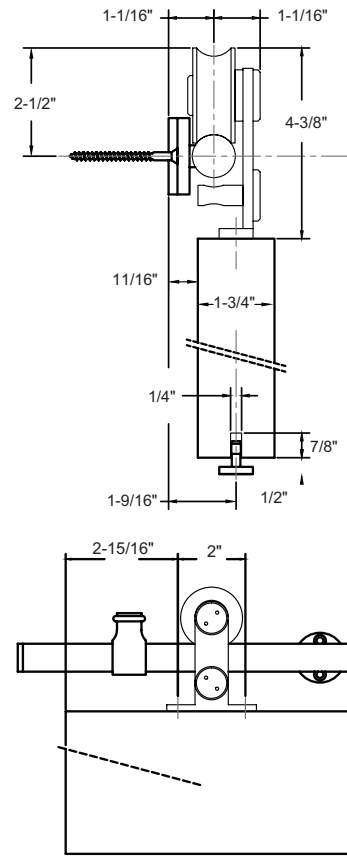
Top Mount Round Track System (With Soft-Close) — Track Length 98 7/16"

- Fits 1" to 2" Thick Door Panel
- Brushed Stainless Steel 304
- Side Wall Mount
- Nylon Coated Stainless Steel Wheels for Smooth Operation
- For Sliding Doors up to 220 lbs. Each
- Meets ADA Push Force Requirements
- 5-Year Warranty
- Order Two Sets for Bi-Parting Applications
- Soft-Close / Open Hardware is Included for Both Directions in Addition to the SLSS1-8 Complete Kit Contents

Complete Kits Include:

- | | |
|---------------------------|-----------------|
| (1) Track with Soft-Close | (2) Door Stops |
| (2) Hangers | (1) Floor Guide |

SLSS1-8 includes: (6) Wall Attachments



PROJECT:
SUBMITTED BY:
DATE:
NOTES:



NGP-SLI-SLSS1-8-SC-PCS-0424-A

NATIONAL GUARD PRODUCTS, INC.

MEMPHIS

4985 East Raines Road
Memphis, TN 38118

CARSON CITY

3689 Arrowhead Drive
Carson City, NV 89706

Fax: (800) 255-7874
Email: info@ngp.com

Quotes: quotes@ngp.com
Orders: orders@ngp.com

ngp.com
1-800-NGP-RUSH