



SLSS1-6-SC

Stainless Steel Sliding Door Hardware — Barn Door Top Mount

PRODUCT CUT SHEET

Top Mount Round Track System (With Soft Close) – Track Length 78 3/4"

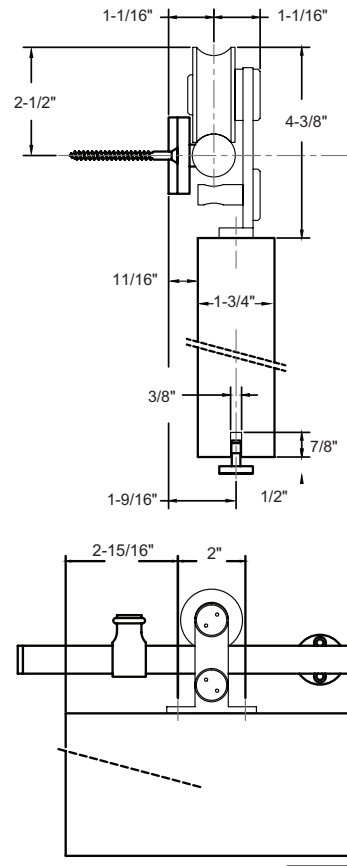


- Fits 1" to 2" Thick Door Panel
- Brushed Stainless Steel 304
- Side Wall Mount
- Nylon Coated Stainless Steel Wheels for Smooth Operation
- Max Weight Load: 220 lbs.
- ANSI/BHMA A156.14 Grade 1 Certified to 100,000 Cycles Including Soft Close Feature
- 5-Year Warranty
- Order Two Sets for Bi-Parting Applications
- Soft Close / Open Hardware is Included for Both Directions in Addition to the SLSS1-6 Complete Kit Contents

Complete Kits Include:

- (1) Track with Soft Close
- (2) Door Stops
- (2) Hangers
- (1) Floor Guide

SLSS1-6 includes: (5) Wall Attachments



PROJECT:
SUBMITTED BY:
DATE:
NOTES:



Note: For Door Sizing Refer to Installation Instruction.

NGP-SLI-SLSS1-6-SC-PCS-0920-B