



SLAL-CNVG-KIT

Sliding Door Hardware -Converging Kit

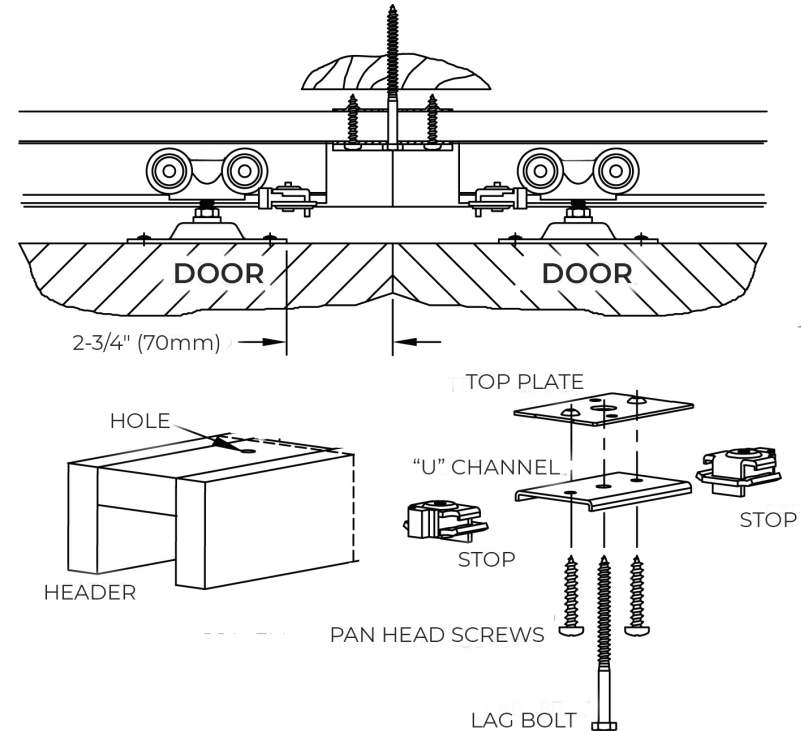
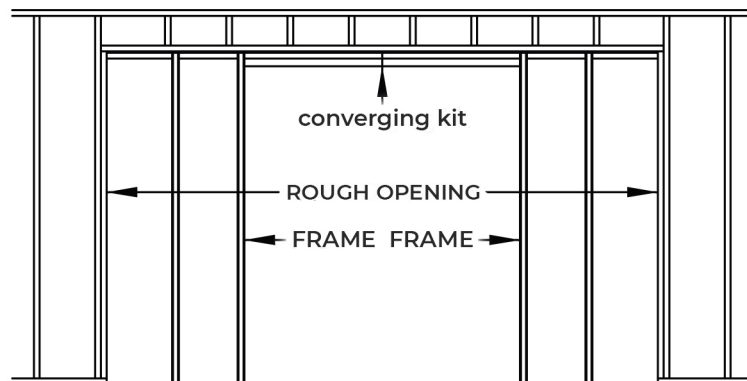
PRODUCT CUT SHEET

PROJECT:
SUBMITTED BY:
DATE:
NOTES:

Converging Kit

- ▶ Used When Joining Two PDKIT Headers Together for a Bi-Part Pocket Opening
- ▶ Includes 2 Mounting Plates, 2 Pan Head Screws and 1 Lag Bolt

SKU	MATERIAL/FINISH
SLAL-CNVG-KIT	Zinc Coated Steel



NGP-SLI-SLAL-CNVG-KIT-PCS-01122-A

NGP MEMPHIS
4985 East Raines Road
Memphis, TN 38118
orders@ngp.com

NGP VEGAS
4584 Calimesa Street
Las Vegas, NV 89115
vegasorders@ngp.com

ngp.com
1-800-NGP-RUSH