



SLAL-250-PDKIT

Aluminum Sliding Door Hardware — Pocket Door Frame Kit

PRODUCT CUT SHEET

PROJECT:
SUBMITTED BY:
DATE:
NOTES:

Top Mount Track System



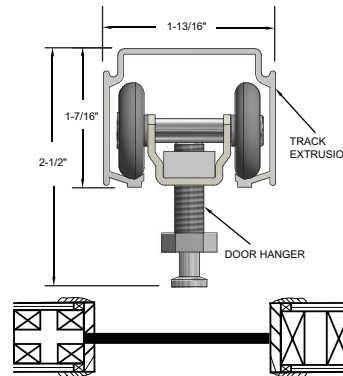
- Commercial Grade for 1 $\frac{3}{8}$ " To 1 $\frac{3}{4}$ " Doors
- Max Weight Load 250 lbs.
- ANSI/BHMA A156.14 Grade 1 Certified to 100,000 Cycles Including Soft Close Feature
- Hangers with Heavy Duty Ball Bearing Wheels
- 5-year Warranty
- Patent Pending

SKU	APPLICATION	FOR UP TO:
SLAL-250-PDKIT	4" Wood or Metal Stud	3/0 x 7/0
SLAL-250-PDKIT-48"DR	4" Wood or Metal Stud	4/0 x 7/0
SLAL-250-PDKIT-6	6" Wood Stud (5 $\frac{1}{2}$ " Header)	3/0 x 7/0
SLAL-250-PDKIT-6-48"	6" Wood Stud (5 $\frac{1}{2}$ " Header)	4/0 x 7/0
SLAL-250-PDKIT-6M	6" Metal Stud (6" Header)	3/0 x 7/0
SLAL-250-PDKIT-6M-48"	6" Metal Stud (6" Header)	4/0 x 7/0

Order two sets for Bi-Parting applications

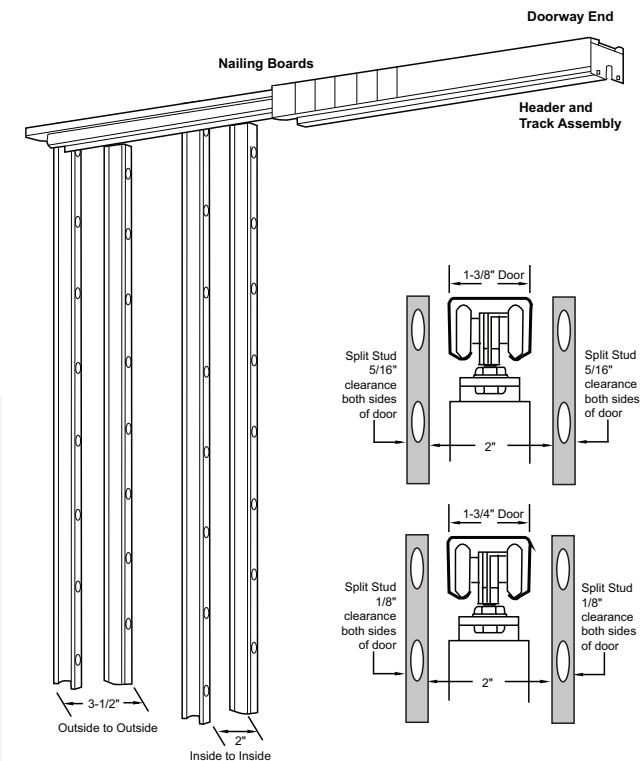
OPTIONS:

- Soft Close / Open – Specify "SC"
For Both Directions Order (2) SC
- Wall Mounted Bottom Guide SL-WG
- Bottom Channel Guide SL-BCG



Complete Kits Include:

- (1) Header Track Assembly
- (1) Universal Hardware Pack, Consists Of:
 - (2) Ball Bearing Heavy Duty Hangers
 - (2) Snap-In Door Brackets
 - (2) In-Track Stops
 - (1) Angle Stop
 - (1) Bumper Stop
 - (1) Door Guide
 - Heavy Duty Floor Guides
- (1) Pocket Frame Kit
 - Jamb Stiffeners
 - (4) 36" Openings
 - (6) 48" Openings
 - Floor Brackets
 - (2) 36" Openings
 - (3) 48" Openings
 - (1) End Bracket



Note: For Door Sizing Refer to Installation Instruction.

NGP-SLI-SLAL-250-PDKIT-PCS-0222-B