

POCKET DOOR

SLIDING DOOR HARDWARE FRAME KIT

ALUMINUM TOP MOUNT TRACK SYSTEM

- ▶ Commercial Grade for 1⅜" To 1¾" Doors
- ▶ Header Length 73"
- ▶ Frame Kit Accommodates up to 3/0 x 7/0 Doors
- ▶ Max Weight Load 250 lbs.
- ▶ ANSI/BHMA A156.14 Grade 1 Certified to 100,000 Cycles Including Soft Close Feature
- ▶ Hangers with Heavy Duty Ball Bearing Wheels
- ▶ 5-year Warranty
- ▶ Patent Pending

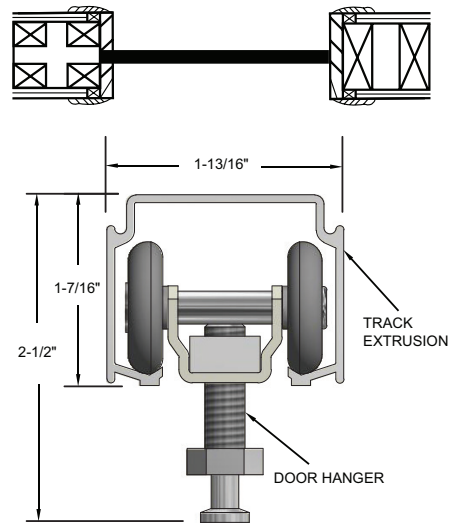
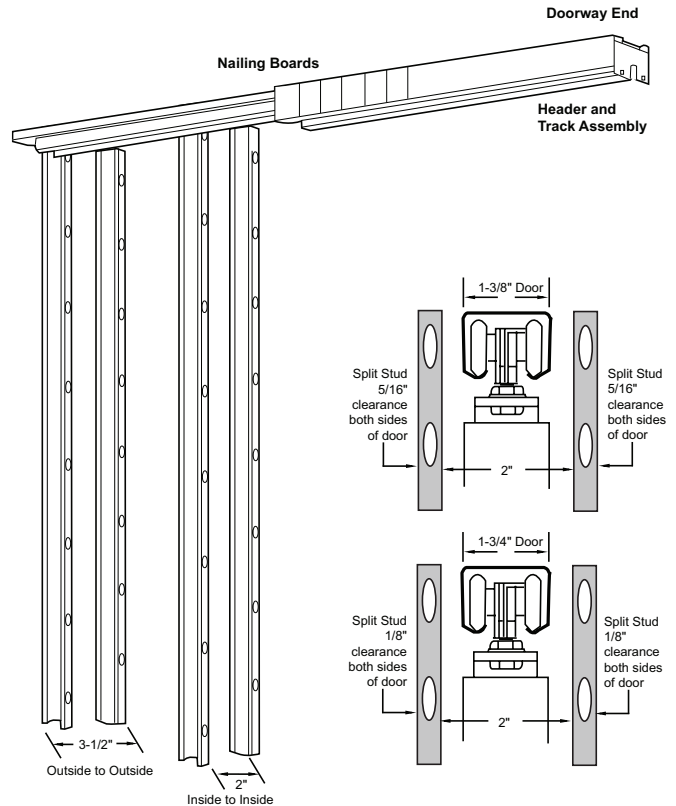


SKU	APPLICATION	FOR UP TO:
SLAL-250-PDKIT	4" Wood or Metal Stud	3/0 x 7/0
SLAL-250-PDKIT-48"DR	4" Wood or Metal Stud	4/0 x 7/0
SLAL-250-PDKIT-6	6" Wood Stud (5½" Header)	3/0 x 7/0
SLAL-250-PDKIT-6-48"	6" Wood Stud (5½" Header)	4/0 x 7/0
SLAL-250-PDKIT-6M	6" Metal Stud (6" Header)	3/0 x 7/0
SLAL-250-PDKIT-6M-48"	6" Metal Stud (6" Header)	4/0 x 7/0

Order two sets for Bi-Parting applications

Complete Kits Include:

- (1) Header Track Assembly
- (1) Universal Hardware Pack, Consists Of:
 - (2) Ball Bearing Heavy Duty Hangers
 - (2) Snap-In Door Brackets
 - (2) In-Track Stops
 - (1) Angle Stop
 - (1) Bumper Stop
 - (1) Door Guide
 - Heavy Duty Floor Guides
- (1) Pocket Frame Kit
 - Jamb Stiffeners
 - (4) 36" Openings
 - (6) 48" Openings
 - Floor Brackets
 - (2) 36" Openings
 - (3) 48" Openings
 - (1) End Bracket



OPTIONS:

- ▶ Soft Close / Open – Specify "SC"
For Both Directions Order SCBY
- ▶ Floor Guide SLSS-FG
- ▶ Bottom Channel Guide SL-BCG (page SL10)