

BY-PASS WITH FASCIA



TOP MOUNT TRACK SYSTEM

- Commercial Grade for 1 $\frac{3}{8}$ " To 1 $\frac{3}{4}$ " Doors
- For Sliding Doors up to 250 lbs. Each
- ANSI/BHMA A156.14 Grade 1 Certified to 100,000 Cycles Including Soft-Close Feature
- Hangers With Heavy-Duty Ball Bearing Wheels
- Meets ADA Push Force Requirements
- 5-Year Warranty

TWO-DOOR SYSTEMS

SKU	TRACK LENGTH
SLAL-250-BPF-2DR-48	48"
SLAL-250-BPF-2DR-60	60"
SLAL-250-BPF-2DR-72	72"
SLAL-250-BPF-2DR-96	96"
SLAL-250-BPF-2DR-144	144"

Complete Kits Include:

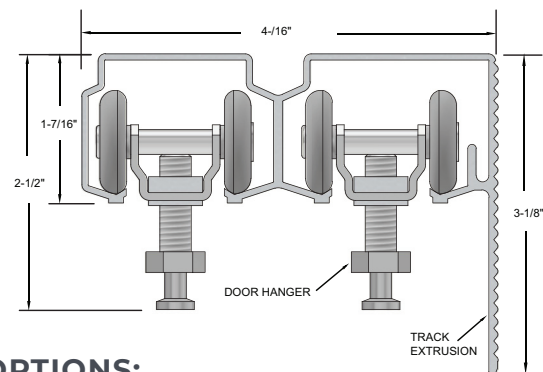
- (1) Track – Mill Finish
- (2) Universal Hardware Packs, Each Consists Of:
 - (2) Ball Bearing Heavy-Duty Hangers
 - (2) Snap-In Door Brackets
 - (2) In-Track Stops
 - (1) Angle Stop
 - (1) Bumper Stop
 - (1) Door Guide
- Heavy-Duty Floor Guides

FOUR-DOOR SYSTEMS

SKU	TRACK LENGTH
SLAL-250-BPF-4DR-48	48"
SLAL-250-BPF-4DR-60	60"
SLAL-250-BPF-4DR-72	72"
SLAL-250-BPF-4DR-96	96"
SLAL-250-BPF-4DR-144	144"

Complete Kits Include:

- (1) Track – Mill Finish
- (4) Universal Hardware Packs, Each Consists Of:
 - (2) Ball Bearing Heavy-Duty Hangers
 - (2) Snap-In Door Brackets
 - (2) In-Track Stops
 - (1) Angle Stop
 - (1) Bumper Stop
 - (1) Door Guide
- Heavy-Duty Floor Guides



OPTIONS:

- Soft-Close / Open – Specify “SCBY”
For Both Directions Order (2) Sets “SCBY” for Doors 120 lbs.-150 lbs. Each
- Light-Duty Soft-Close / Open - Specify “SCBY-LITE”
Both Directions Order (2) “SCBY-LITE” for Doors 65 lbs.-115 lbs. Each
- Bottom Channel Guide “SL-BCG” (Page SL17)
- Sidewall Mount Brackets “SWBP-BRKT” (Page SL18)