

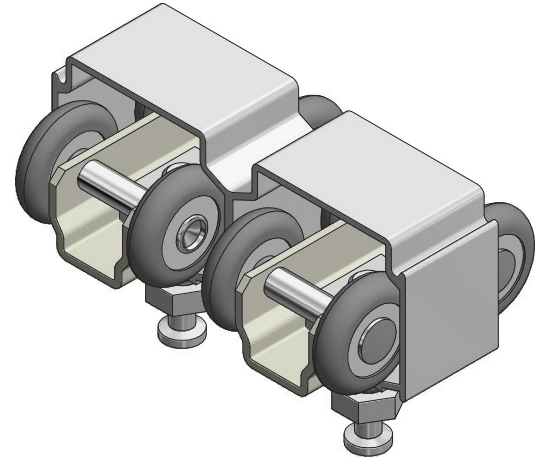
# BY-PASS

## SLIDING DOOR HARDWARE

### ALUMINUM TOP MOUNT TRACK SYSTEM

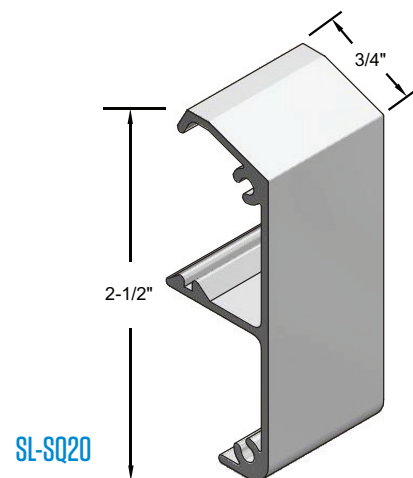
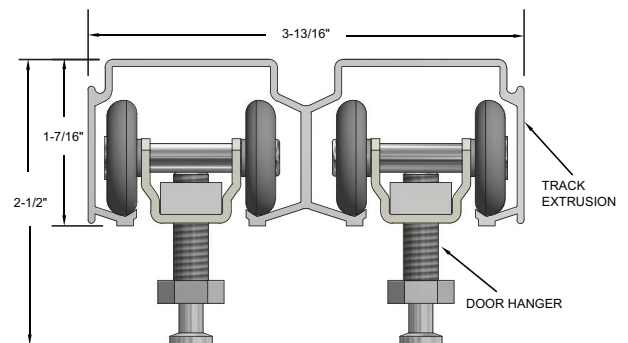
- ▶ Commercial Grade for 1 $\frac{3}{8}$ " To 1 $\frac{3}{4}$ " Doors
- ▶ Max Weight Load 250 lbs.
- ▶ Hangers with Heavy Duty Ball Bearing Wheels
- ▶ 5-Year Warranty

SKU	TRACK LENGTH
SLAL-250-BP-48	48"
SLAL-250-BP-60	60"
SLAL-250-BP-72	72"
SLAL-250-BP-96	96"



#### Complete Kits Include:

- (1) Track
- (2) Universal Hardware Packs,  
Each Consist Of:
  - (2) Ball Bearing Heavy Duty Hangers
  - (2) Snap-In Door Brackets
  - (2) In-Track Stops
  - (1) Angle Stop
  - (1) Bumper Stop
  - (1) Door Guide
  - Heavy Duty Floor Guides



#### OPTIONS:

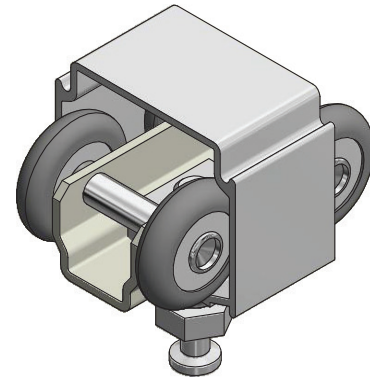
- ▶ Soft Close – Specify "SCBY"
- ▶ Bottom Channel Guide SL-BCG (Page SL10)
- ▶ Snap-On Fascia (SL-SQ20) – Shown Right

# POCKET DOOR

## SLIDING DOOR HARDWARE

### ALUMINUM TOP MOUNT TRACK SYSTEM

- ▶ Commercial Grade for 1 $\frac{3}{8}$ " To 1 $\frac{3}{4}$ " Doors
- ▶ Max Weight Load 250 lbs.
- ▶ Hangers with Heavy Duty Ball Bearing Wheels
- ▶ 5-Year Warranty



SKU	TRACK LENGTH
SLAL-250-PD-48	48"
SLAL-250-PD-60	60"
SLAL-250-PD-72	72"
SLAL-250-PD-96	96"

#### Complete Kits Include:

- (1) Track
- (1) Universal Hardware Pack,  
Consists Of:
  - (2) Ball Bearing Heavy Duty Hangers
  - (2) Snap-In Door Brackets
  - (2) In-Track Stops
  - (1) Angle Stop
  - (1) Bumper Stop
  - (1) Door Guide
  - Heavy Duty Floor Guides

#### OPTIONS:

- ▶ Soft Close – Specify "SC"
- ▶ Wall Mounted Guide SL-WG (page SL10)
- ▶ Bottom Channel Guide SL-BCG (page SL10)
- ▶ Snap-On Fascia (SL-SQ20) – Shown Right

