



SLAL-250-BP-2DR

Aluminum Sliding Door Hardware — By-Pass

PRODUCT CUT SHEET

PROJECT:
SUBMITTED BY:
DATE:
NOTES:

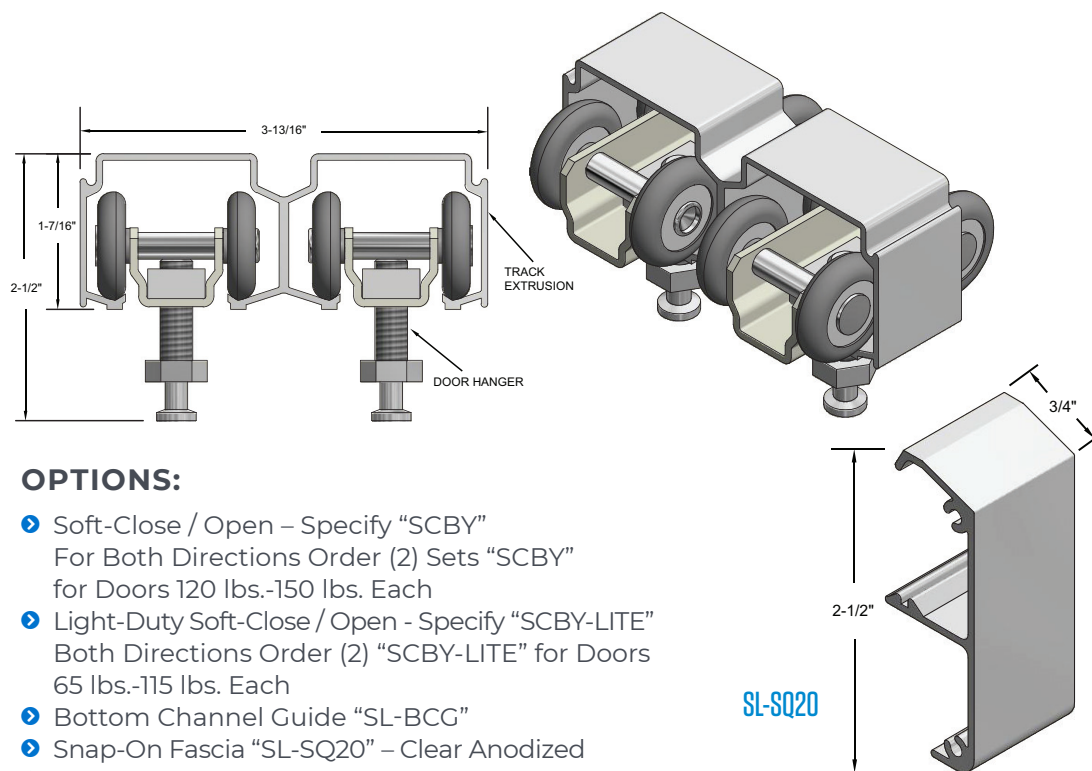
Top Mount Track System



- Commercial Grade for 1 $\frac{3}{8}$ " To 1 $\frac{3}{4}$ " Doors
- For Sliding Doors up to 250 lbs. Each
- ANSI/BHMA A156.14 Grade 1 Certified to 100,000 Cycles Including Soft-Close Feature
- Hangers With Heavy-Duty Ball Bearing Wheels
- Meets ADA Push Force Requirements
- 5-Year Warranty
- Track Comes in 48", 60", 72", 96" and 144" Lengths

Complete Kits Include:

- (1) Track – Mill Finish
- (2) Universal Hardware Packs, Each Consists Of:
 - (2) Ball Bearing Heavy-Duty Hangers
 - (2) Snap-In Door Brackets
 - (2) In-Track Stops
 - (1) Angle Stop
 - (1) Bumper Stop
 - (1) Door Guide
- Heavy-Duty Floor Guides



OPTIONS:

- Soft-Close / Open – Specify “SCBY”
For Both Directions Order (2) Sets “SCBY” for Doors 120 lbs.-150 lbs. Each
- Light-Duty Soft-Close / Open - Specify “SCBY-LITE”
Both Directions Order (2) “SCBY-LITE” for Doors 65 lbs.-115 lbs. Each
- Bottom Channel Guide “SL-BCG”
- Snap-On Fascia “SL-SQ20” – Clear Anodized
- Sidewall Mount Brackets “SWBP-BRKT”

Note: For Door Sizing Refer to Installation Instruction.

NGP-SLI-SLAL-250-BP-2DR-PCS-0424-A

NATIONAL GUARD PRODUCTS, INC.

MEMPHIS

4985 East Raines Road
Memphis, TN 38118

CARSON CITY

3689 Arrowhead Drive
Carson City, NV 89706

Fax: (800) 255-7874
Email: info@ngp.com

Quotes: quotes@ngp.com
Orders: orders@ngp.com

ngp.com
1-800-NGP-RUSH