



# SG-10

## Thru-Bolted Security Lite Kit

### PRODUCT CUT SHEET

PROJECT:
SUBMITTED BY:
DATE:
NOTES:

#### For 1 3/4" up to 2 1/4" Thick Doors and 3/16" up to 1 9/16" Glass

- ▶ 10 Ga. Cold Rolled Steel for Glass up to 1" Thick
- ▶ 12 Ga. Cold Rolled Steel for Glass Over 1" Thick
- ▶ Mitered and Welded Corners
- ▶ Counter-Sunk Mounting Screw-Holes
- ▶ #8-32 One Way Vandal Resistant Security Screw Thru-Bolts
- ▶ Gray Primer (GPZ) Powder Coat Finish

#### Required Information:

Specify Door Thickness if Other Than 1 3/4"  
Specify Glass Thickness

#### Available Options

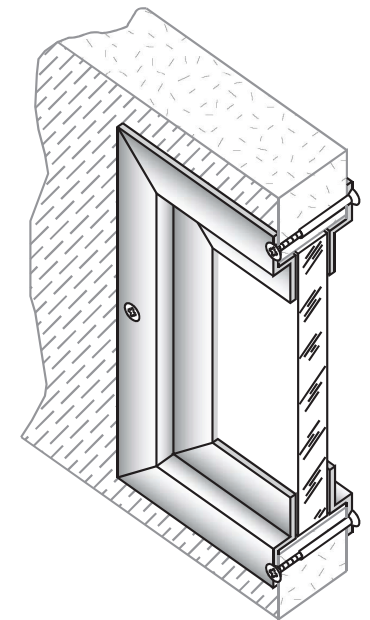
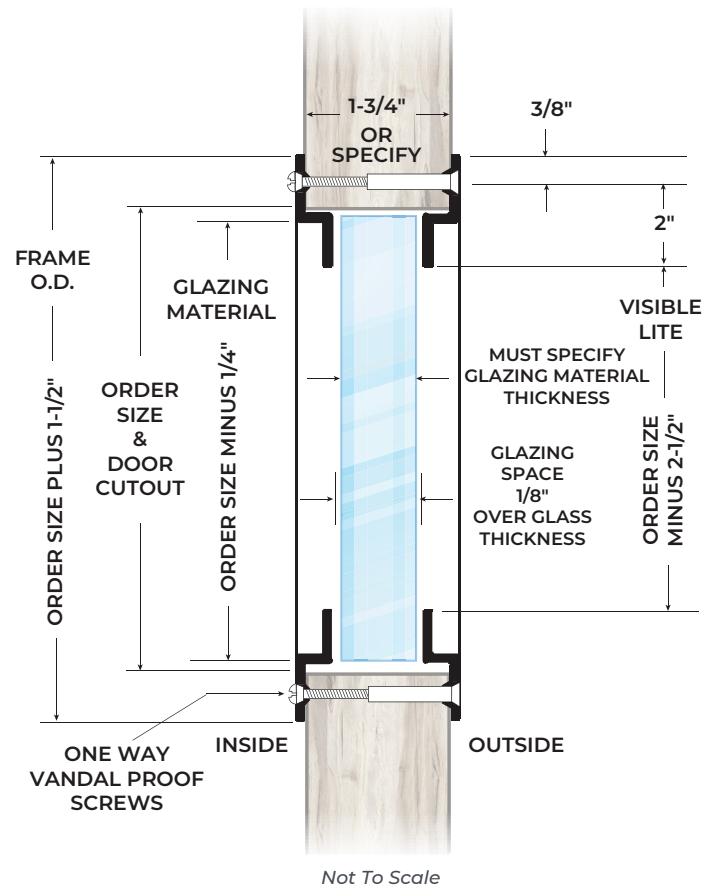
- ▶ Powder Coat Color Options - See Color Chart on [www.ngp.com](http://www.ngp.com)
- ▶ Torx Security Thru-Bolts
- ▶ Zinc Electro-Plating
- ▶ Glass & Glazing Tape - See Glass Section
- ▶ Stainless Steel Type 304, #4 Finish - Specify SG-10-SS
- ▶ Stainless Steel Type 316, #4 Finish - Specify SG-10-316SS

#### Ballistic Rated

UL752 Level III as part of Ballistic Door Assemblies

#### Impact Ratings

Tested in Compliance with ASTM F-1450



Designed for Use on Doors  
Manufactured Within Door  
Industry Tolerance of +/- 1/16".

NGP-LIT-SG-10-PCS-1022-A

**NGP MEMPHIS**  
4985 East Raines Road  
Memphis, TN 38118  
[orders@ngp.com](mailto:orders@ngp.com)

**NGP VEGAS**  
4584 Calimesa Street  
Las Vegas, NV 89115  
[vegasorders@ngp.com](mailto:vegasorders@ngp.com)

**ngp.com**  
1-800-NGP-RUSH