

SG-10

THRU-BOLTED SECURITY LITE KIT

FOR 1 3/4" UP TO 2 1/4" THICK DOORS AND 3/16" UP TO 1 13/16" GLASS

- ▶ 10 Ga. Hot Rolled Pickled & Oiled Steel for Glass up to 1" Thick
- ▶ 12 Ga. Hot Rolled Pickled & Oiled Steel for Glass Over 1" Thick
- ▶ Mitered and Welded Corners
- ▶ Countersunk Mounting Screw-Holes
- ▶ #8-32 Torx Security Pin Screw Thru-Bolts
- ▶ Gray Primer (GPZ) Powder Coat Finish

Required Information

- ▶ Specify Door Thickness if Other Than 1 3/4"
- ▶ Specify Glass Thickness
- ▶ Refer to Page L24 for Specialty Profiles and Important Order Information

Available Options

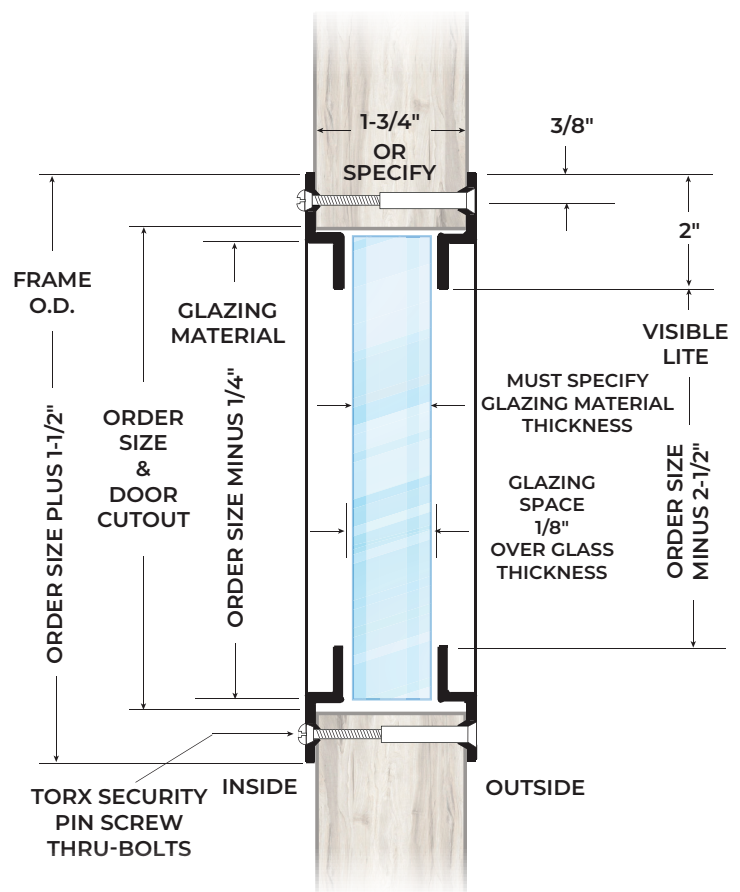
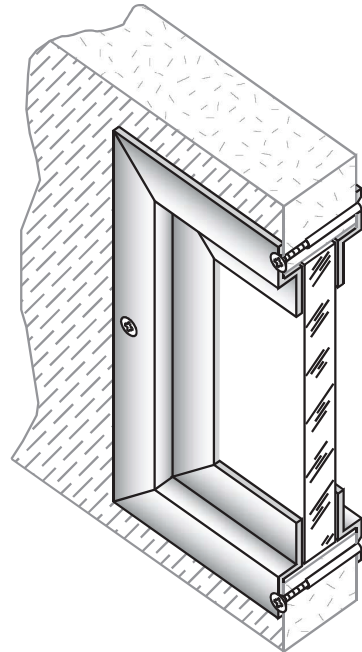
- ▶ Powder Coat Color Options - See Page L3
- ▶ Zinc Electroplating
- ▶ Glass & Glazing Tape - See Glass Section
- ▶ Stainless Steel Type 316, #4 Finish - Specify SG-10-316SS

Ballistic Rated

- ▶ UL752 Level III as Part of Ballistic Door Assemblies

Impact Ratings

- ▶ Tested in Compliance with ASTM F-1450



Not To Scale

Designed for Use on Doors Manufactured Within Door Industry Tolerance of +/- 1/16".