



Pyran[®] Platinum F 1" IGU

Insulated Fire-Protective Safety Glass Ceramic/Tempered Glass

PRODUCT CUT SHEET

PROJECT:
SUBMITTED BY:
DATE:
NOTES:

Material

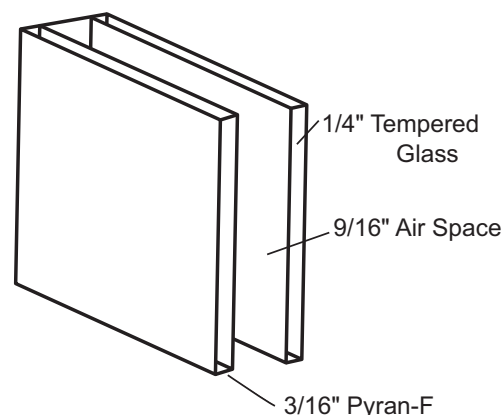
- ▶ 1" Thick - Consists of 3/16" (5mm) Thick Filmed Glass Ceramic and 1/4" Thick Clear Tempered Glass With 9/16" Air Space Between and Butyl Seal
- ▶ Increased Energy Efficiency
- ▶ Can NOT Be Cut After Manufacturing
- ▶ Heavy-Duty 7 Mil Durable Safety Film on Pyran F
- ▶ Neutral Coloration - Clear and Wireless
- ▶ Etched With UL Classification
- ▶ 3-Year Manufacturer Warranty
- ▶ STC 35

Impact Safety Rating Information

Meets ANSI Z97.1, Class A

Meets CPSC 16CFR 1201 (Category I and II)

Complies With IBC Requirements for Use in Doors, Side-Lites, Transom Lites and Borrowed Lites



RATING	APPLICATION	MAX. VISIBLE GLASS AREA (SQ. INCHES)	MAX. WIDTH VISIBLE GLASS	MAX. HEIGHT VISIBLE GLASS
20, 45, 60, 90 MINUTE	DOORS* (NON-TEMP RISE)	3,708	37 3/4"	98 1/4"
20, 45, 60, 90 MINUTE	SIDE-LITES, BORROWED LITES, TRANSOM LITES	4,933	98 1/4"	98 1/4"
180 MINUTE	DOORS* INCLUDING TEMP-RISE	100	12"	33"

*With Fire-Rated Glass Lite Kit

NGP-GLA-PYRANF1IGU-PCS-0526-A

NATIONAL GUARD PRODUCTS, INC.

MEMPHIS

4985 East Raines Road
Memphis, TN 38118

CARSON CITY

3689 Arrowhead Drive
Carson City, NV 89706

Fax: (800) 255-7874
Email: info@ngp.com

Quotes: quotes@ngp.com
Orders: orders@ngp.com

ngp.com
1-800-NGP-RUSH