

FOR 1 3/8" TO 1 3/4" THICK DOORS

- ▶ 12 Ga. Cold Rolled Steel Security Grille Frame with 13/16" Square Holes on 1" Centers
- ▶ 20 Ga. Cold Rolled Steel Louver Blades
- ▶ Countersunk Mounting Screw-Holes
- ▶ #8-32 Phillips Head Screw Thru-Bolts
- ▶ Available in Uneven and Fractional Sizes
- ▶ Free Area 50%
- ▶ Gray Primer (GPZ) Powder Coat Finish

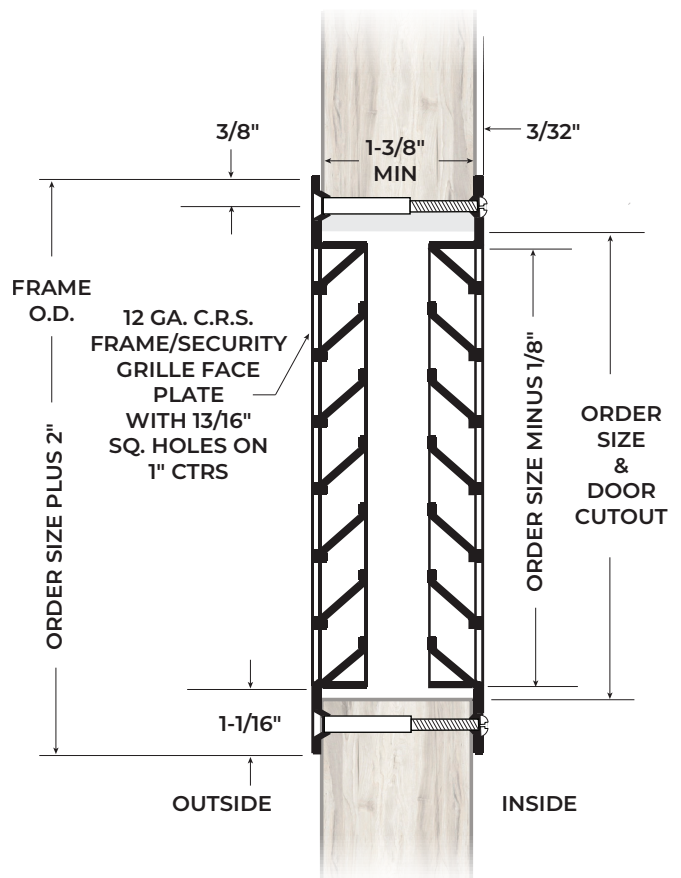
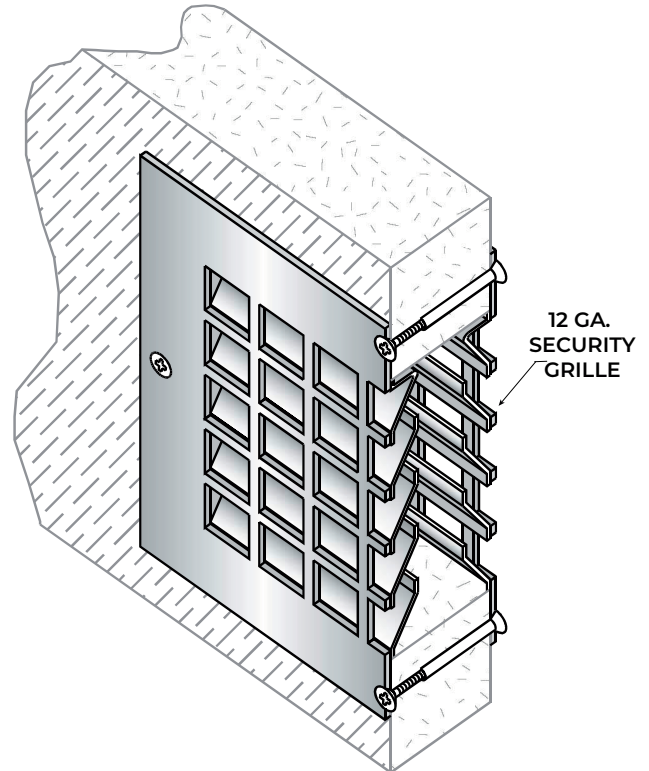
Available Options

- ▶ Powder Coat Color Options - See Page L3
- ▶ Aluminum Insect Screen - 22 Ga. 1/8" Square Mesh Installed on Exterior Side Unless Requested Otherwise
- ▶ #8-32 Torx Security Pin Screw Thru-Bolts
- ▶ Electrogalvanized Steel (Not Available on Security Grilles)
- ▶ Zinc Electroplating (Not Available on Insect Screen)
- ▶ Type 316 Stainless Steel – Specify PLSL-316SS,
Stock Sizes: 12" x 12" 18" x 12" 18" x 18"
24" x 12" 24" x 18" 24" x 24"

Windstorm Rated

- ▶ Louver for Use in Windstorm-Rated Assembly in Accordance with ANSI/ASTM E330, ANSI/ASTM E1886, ASTM E1996, AAMA/WDMA/CSA 101/I.S.2/A440, FEMA 320, FEMA 361 and ICC 500.
Design Pressure = +/- 70 PSF
Large Missile Impact = 350 ft. lbs.
Hazard - Hurricane

This Product is **NOT** Rated for Use on Fire-Rated Doors



Not To Scale