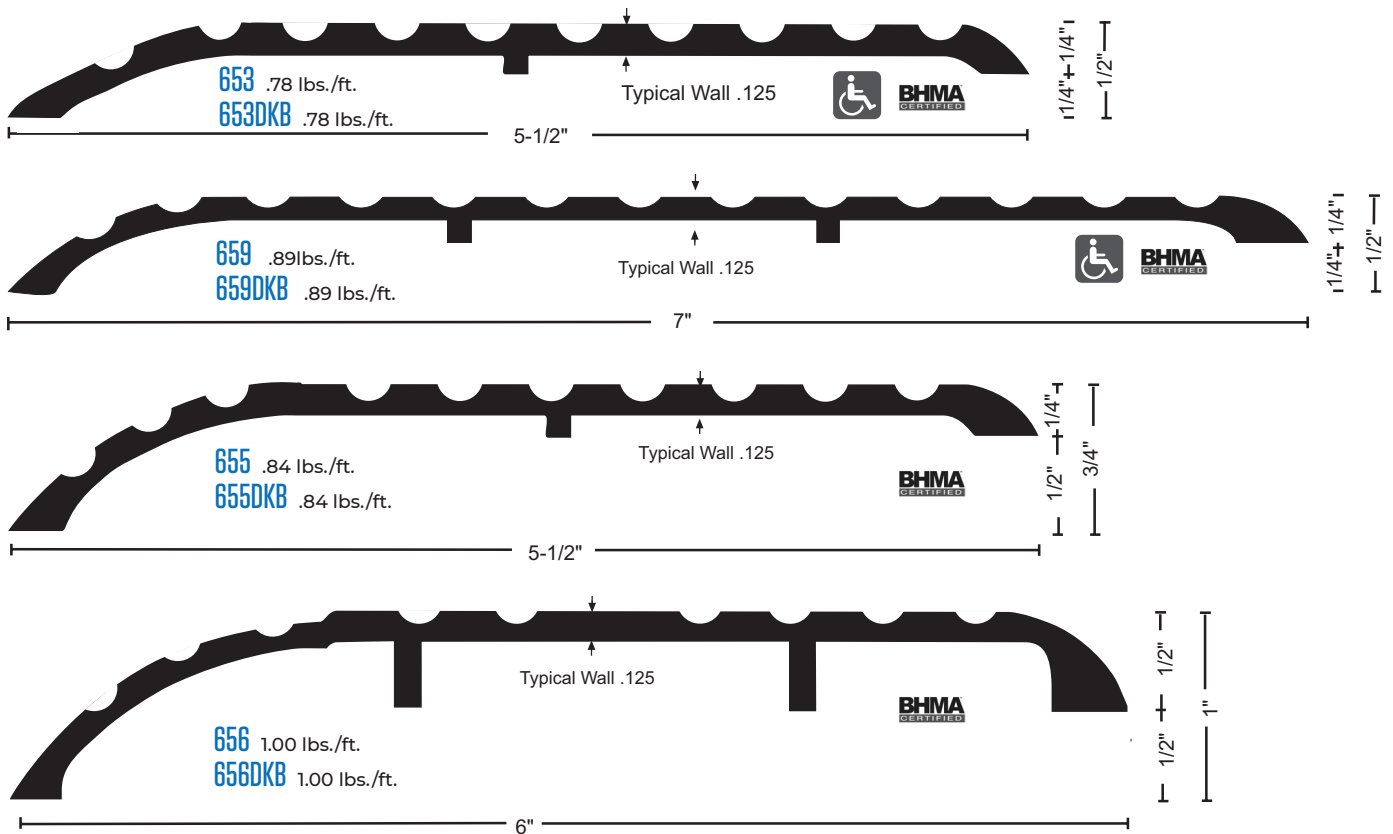


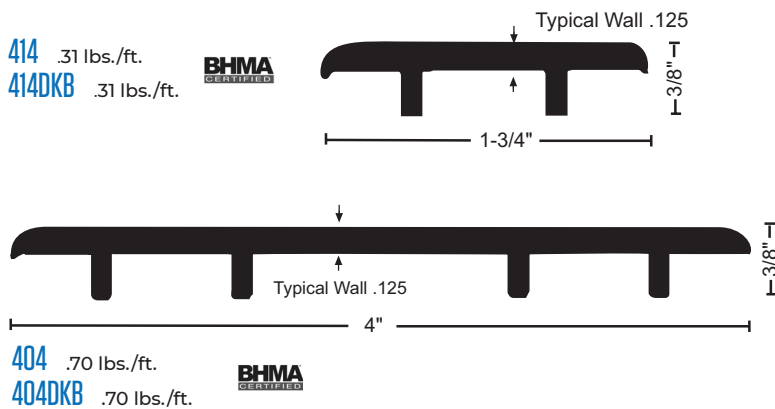
OFFSET THRESHOLDS

All Products in this Section

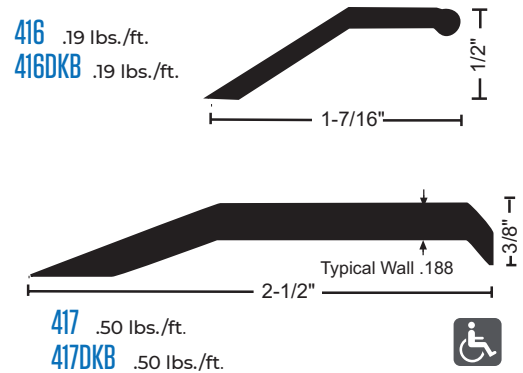


CARPET AND TILE DIVIDERS AND EDGES

CARPET AND TILE DIVIDERS



CARPET EDGES



MATERIALS & FINISHES
- Mill Aluminum
- DKB - Aluminum Dark Bronze

OPTIONAL SIA SLIP-RESISTANT FINISH
For Use in Areas Where Conditions Can Be Hazardous and Safety Is a Priority.

FASTENERS
- #10 x 1-1/2" FH Zinc-Plated Wood Screws Furnished. Dark Bronze Supplied With DKB.