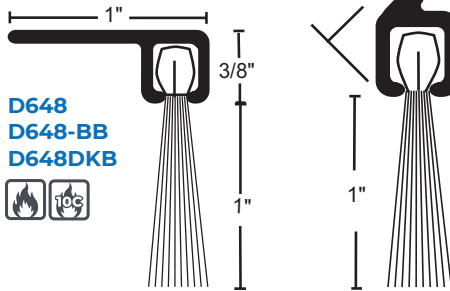
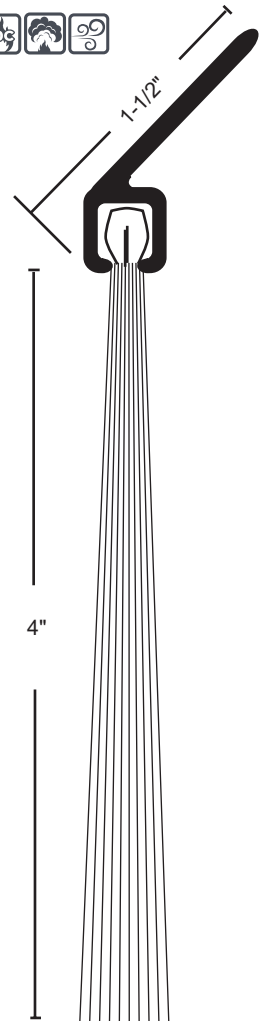
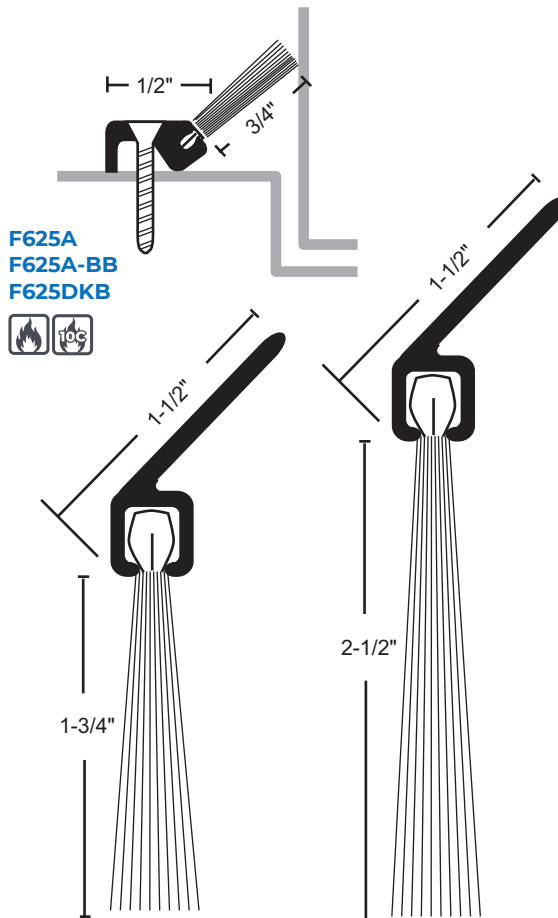
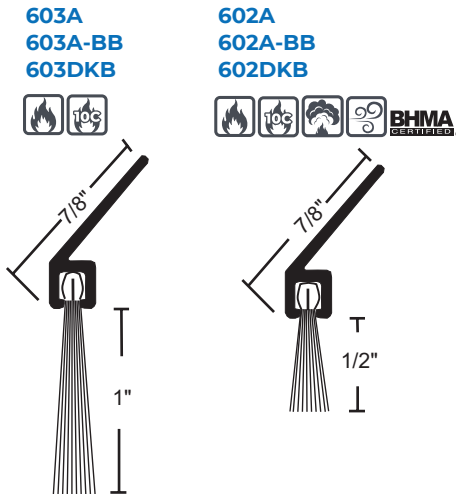
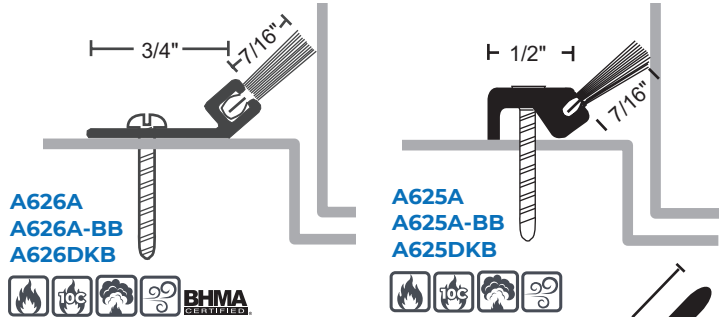


# NYLON BRUSH SEALS

- ▶ Synthetic Polymer: Polyamide
- ▶ Excellent Abrasion Resistance, Flexibility and Memory
- ▶ Moisture-Resistant
- ▶ Retains Insecticides Well
- ▶ Temperature Range -70°F to 425°F
- ▶ BHMA Certified to ANSI/BHMA A156.22 Performance Tests for Heat and Cold, in Most Common Profiles as Indicated by BHMA Certified Symbol
- ▶ REACH and RoHS Compliant
- ▶ Not Effective Against Water Penetration
- ▶ #6 x 3/4" Stainless Steel Sheet Metal Screws Furnished
- ▶ Screw Holes Slotted for Adjustment

PRODUCT# SUFFIX	INSERT	FINISH
<b>A</b>	Gray Brush*	Anodized Aluminum
<b>DKB</b>	Black Brush	Dark Bronze
<b>None</b>	Gray Brush*	Mill Aluminum

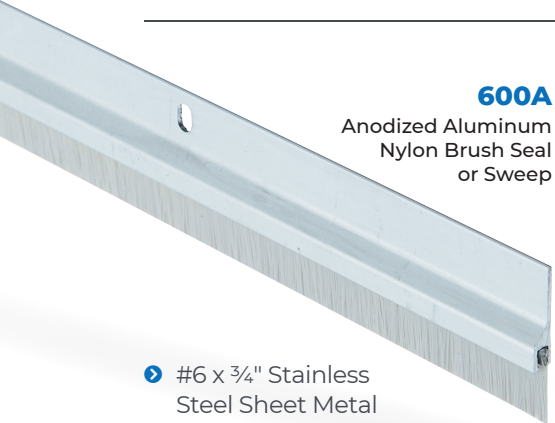
-BB = Black Brush



\* Up To 3 Hours Metal Doors,  
1 Hour Wood Doors

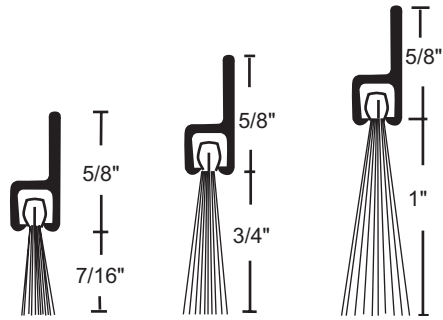


# NYLON BRUSH SEALS



**600A**  
Anodized Aluminum  
Nylon Brush Seal  
or Sweep

▶ #6 x 3/4" Stainless Steel Sheet Metal Screws Furnished. Screw Holes Slotted for Adjustment.



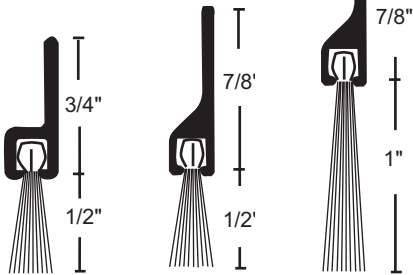
**A605A**  
**A605A-BB**  
**A605DKB**



**OV634A**  
**OV634A-BB**  
**OV634DKB**



**OV633A**  
**OV633A-BB**  
**OV633DKB**



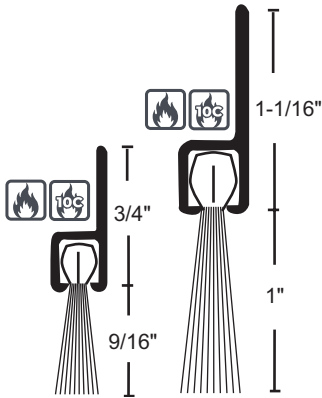
**B606A**  
**B606A-BB**  
**B606DKB**



**600**  
**600-BB**  
**600A**  
**600A-BB**  
**600DKB**

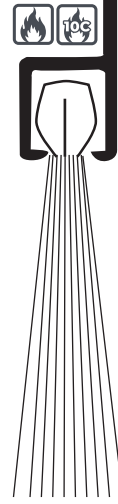


**601**  
**601-BB**  
**601A**  
**601A-BB**  
**601DKB**

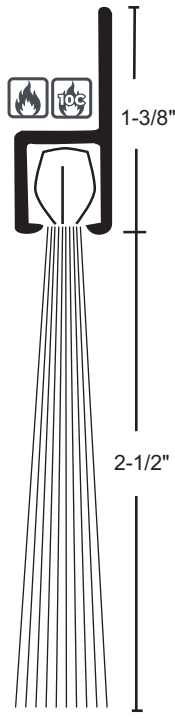


**C607A**  
**C607A-BB**  
**C607DKB**

**D608A**  
**D608A-BB**  
**D608DKB**

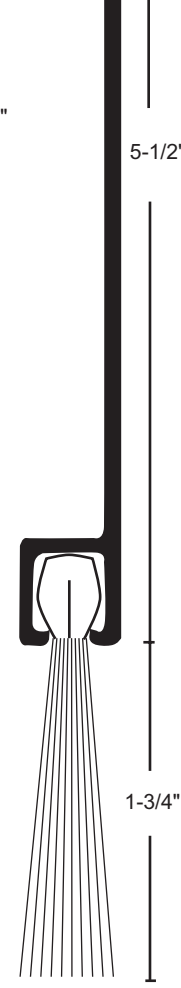


**G610A**  
**G610A-BB**  
**G610DKB**

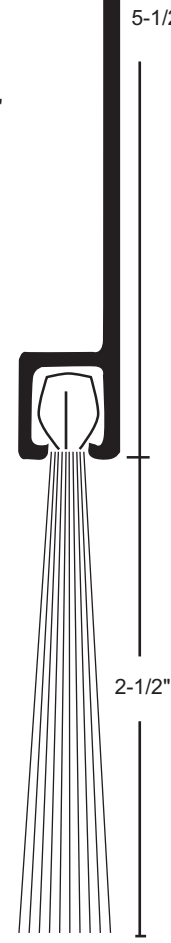


**H612A**  
**H612A-BB**  
**H612DKB**

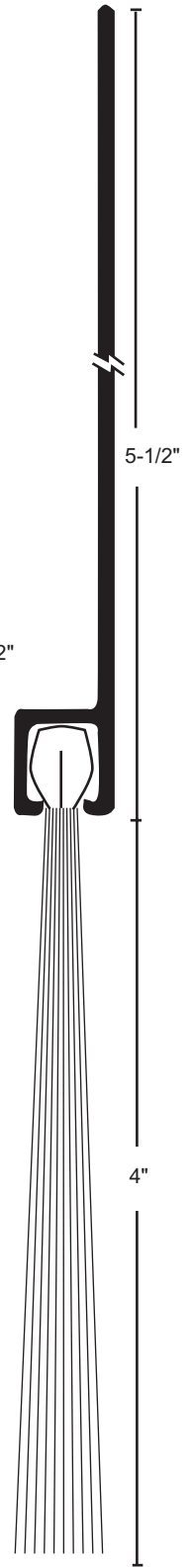
**I-615A**  
**I-615A-BB**  
**I-615DKB**



**G611A**  
**G611A-BB**  
**G611DKB**



**H614A**  
**H614A-BB**  
**H614DKB**



**I-616A**  
**I-616A-BB**  
**I-616DKB**