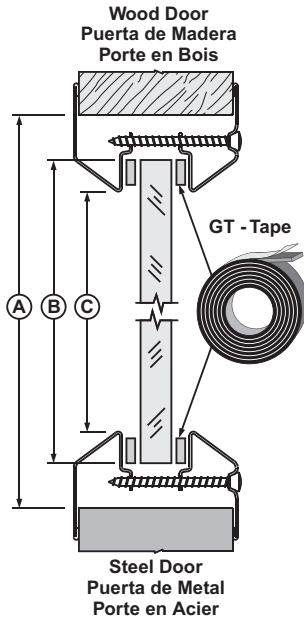


Lo-Pro™ and Lo-Pro-IS™, LO-FP, LO-FP-SS, LO-FP-IS, LO-FP-IS-SS

U.S. and NORTH AMERICA

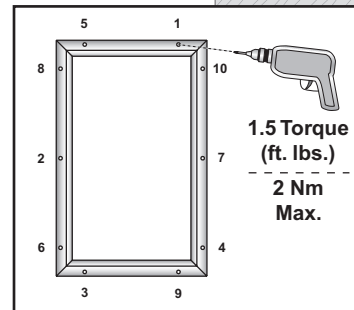
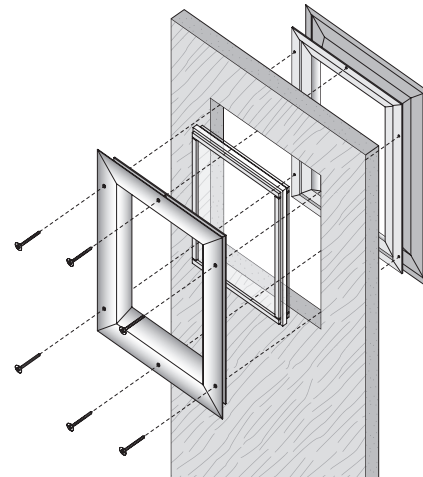


$A = B + 1" = C + 2"$

UL-10C, 20/45/60/90/180 minutes



Fire Door Glass
Light Frame



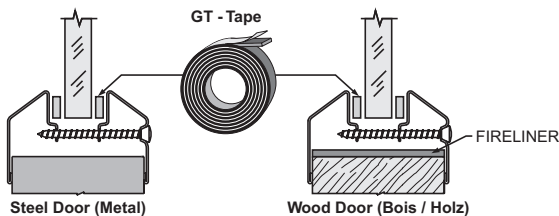
Please examine product for defects
Prior to Installation.

EUROPE

B.S. 476.22

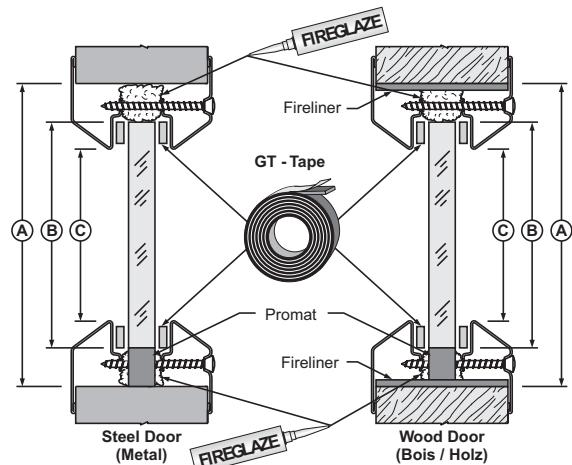
EN-1634.1, E & EW

INTEGRITY



-1634.1, EI 30, EI 60

INSULATION



$\text{O} = B + 25\text{mm} = C + 50\text{mm}$