

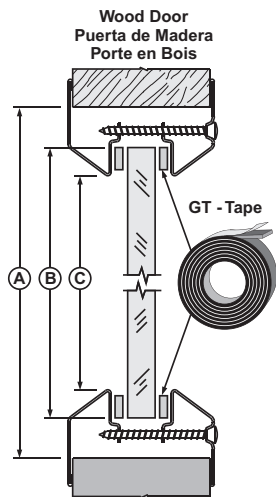
# LO-PRO-SSD

## Security Sliding Door Vision Lite Kit

### Installation Instructions

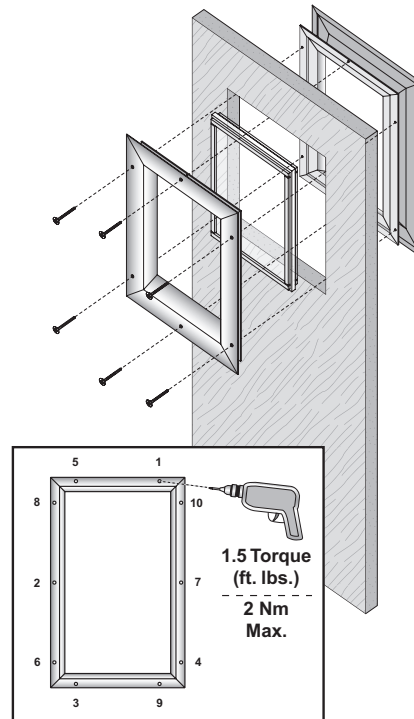
Install LO-PRO Lite Kit:

#### U.S. and NORTH AMERICA



$$A = B + 1" = C + 2"$$

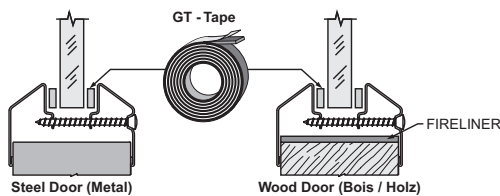
UL-10C, 20/45/60/90/180 minutes



Please examine product for defects Prior to Installation.

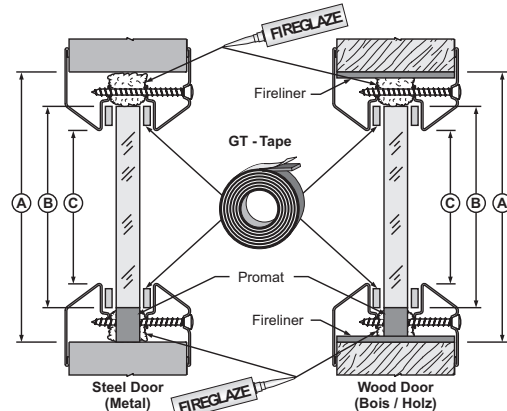
#### EUROPE

B.S. 476.22 EN-1634.1, E & EW INTEGRITY



-1634.1, EI 30, EI 60

#### INSULATION



$$\bigcirc = B + 25mm = C + 50mm$$

# LO-PRO-SSD

## Security Sliding Door for Vision Lite Kit

### Installation Instructions

1. Position over lite Kit as illustrated
2. Insert and start all screws before fully tightening.
3. Tighten screws using a criss cross pattern.  
Use caution when using power screw driving equipment to avoid stripping the material.

