



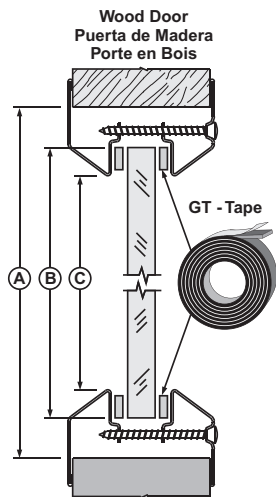
# LO-PRO-SSD

## Security Sliding Door Vision Lite Kit

### Installation Instructions

Install LO-PRO Lite Kit:

#### U.S. and NORTH AMERICA

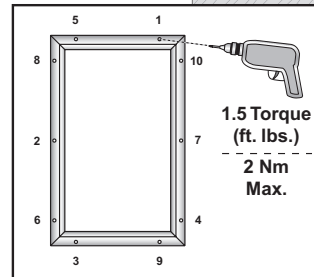
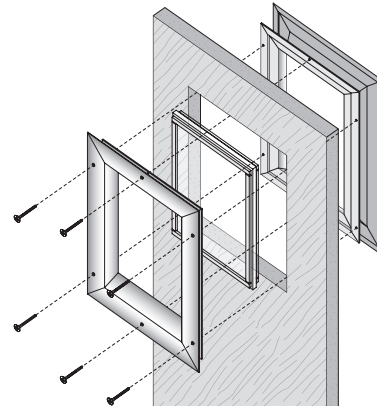


$A = B + 1" = C + 2"$

UL-10C, 20/45/60/90/180 minutes



Fire Door Glass  
Light Frame



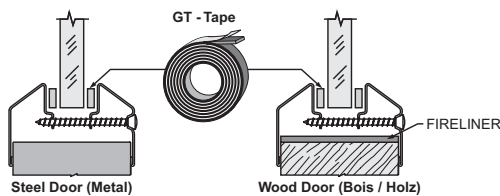
Please examine product for defects  
Prior to Installation.

#### EUROPE

B.S. 476.22

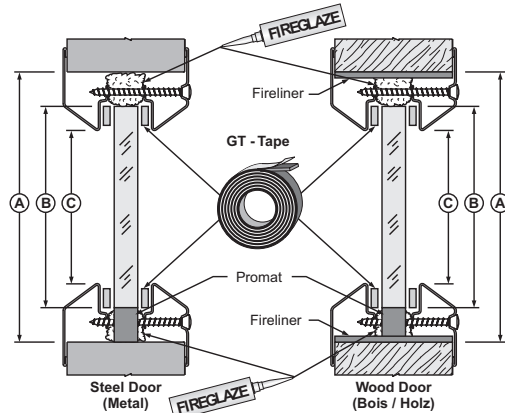
EN-1634.1, E & EW

INTEGRITY



-1634.1, EI 30, EI 60

INSULATION



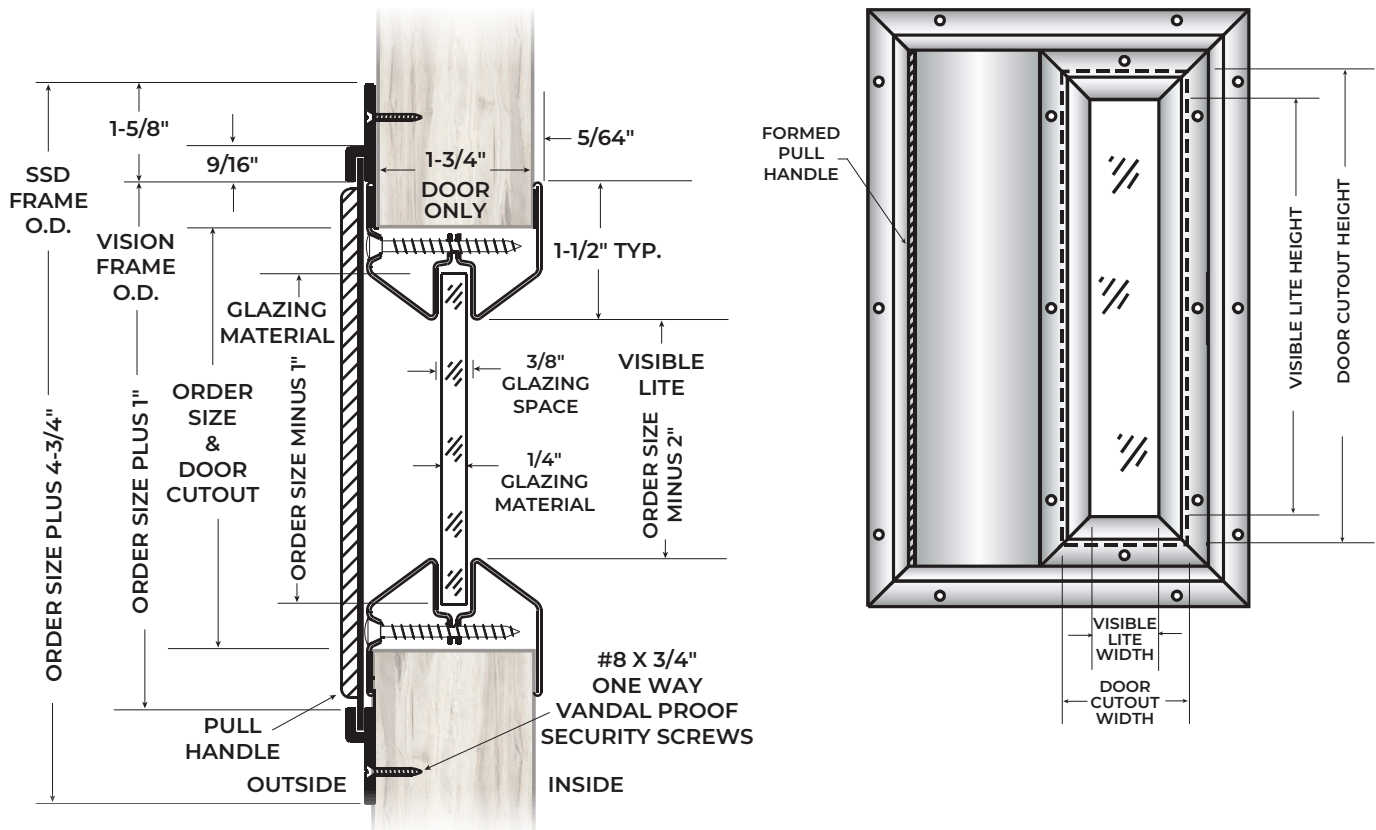
$\text{O} = B + 25\text{mm} = C + 50\text{mm}$

# LO-PRO-SSD

## Security Sliding Door for Vision Lite Kit

### Installation Instructions

1. Position over lite Kit as illustrated
2. Insert and start all screws before fully tightening.
3. Tighten screws using a criss cross pattern.  
Use caution when using power screw driving equipment to avoid stripping the material.



Fire Door Glass  
Light Frame