

# LO-PRO™-IS

## LOW PROFILE LITE KIT

### FOR VARIABLE DOOR AND/OR GLASS THICKNESS

- 20 Ga. Cold Rolled Steel
- Mitered and Welded Corners
- Countersunk Mounting Screw-Holes
- #8 Phillips Head SMS
- Available in Uneven and Fractional Sizes
- Gray Primer (GPZ) Powder Coat Finish

#### Required Information

- Specify Glass Thickness on Order
- Specify Door Thickness on Order if Other Than 1 $\frac{3}{4}$ "

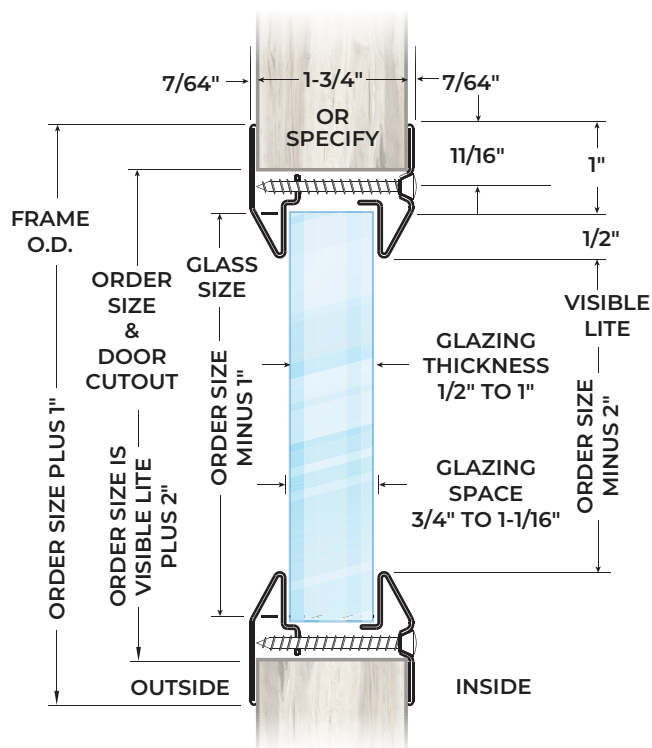
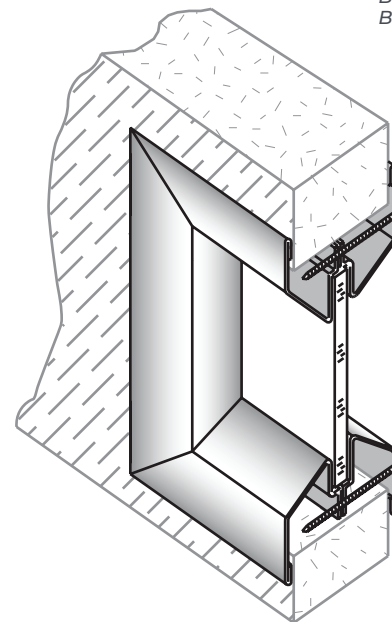
#### Available Options

- Powder Coat Color Options - See Page L3
- Torx Security Screws
- Electrogalvanized Steel
- Zinc Electroplating
- Glass & Glazing Tape - See Glass Section
- Lead Lining -  $\frac{1}{16}$ " Thick

**Anemostat**  
DOOR PRODUCTS



EN-1634  
European Std.  
BS 476.22  
British Std.



Not To Scale

Designed for Use on 1 $\frac{3}{4}$ " Thick Doors Manufactured Within Door Industry Tolerance of +/-  $\frac{1}{16}$ ".

# LO-PRO™-IS

## GLASS AND DOOR COMBINATIONS

- Details Shown are for 1 3/4" Door Thickness
- Only Configurations Shown are Available

