



L-CVFM-SS-SP

Stainless Steel Lite Kit

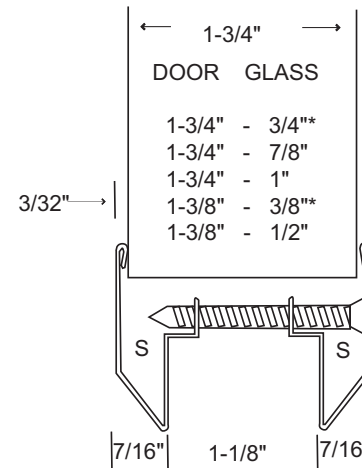
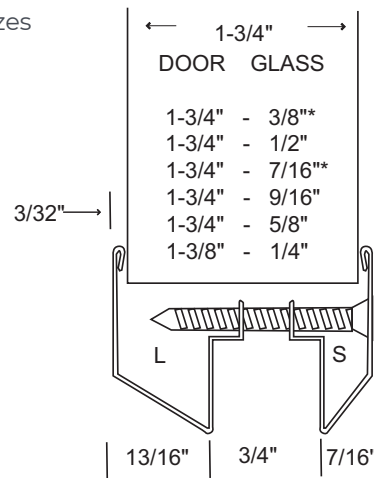
PRODUCT CUT SHEET

For Variable Door and/or Glass Thickness

- 18 Ga. Type 304 Stainless Steel
- Mitered and Welded Corners
- Welded Reinforcing Clips at Corners
- Counter-Sunk Mounting Screw-Holes
- Available in Uneven and Fractional Sizes
- #8 Phillips Head SMS
- #4 Satin Finish

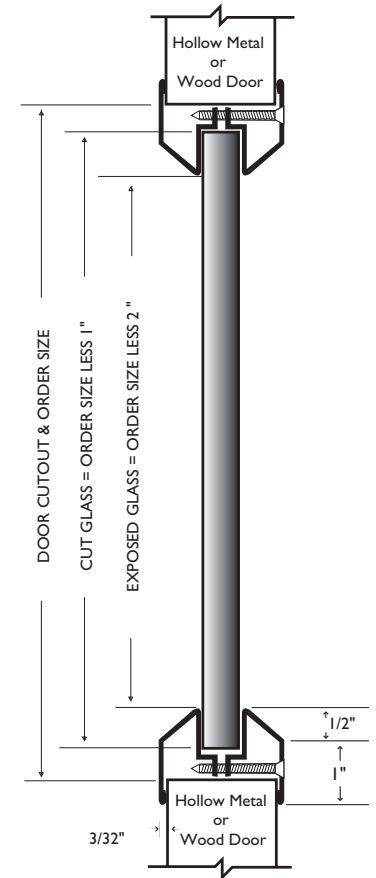
Available Options

- 18 Ga. Type 316 Stainless Steel –
Specify L-CVFM-316SS-SP
- Torx Security Screws
- Glass & Glazing Tape
- Lead Lining - .030" Thick



Details shown are for 1 3/4" door thickness.
Only configurations shown are available
*Requires the use of GT-316 Glazing tape

PROJECT:
SUBMITTED BY:
DATE:
NOTES:



NGP-LIT-L-CVFM-SS-SP-PCS-1021-B

