

L-700-RX-316SS, L-700-A-316SS

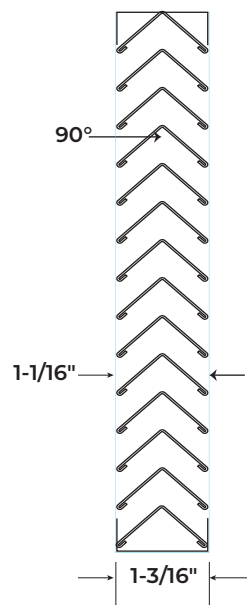
STAINLESS STEEL NO VISION DOOR LOUVER

FOR 1 3/4" THICK DOORS

- ▶ 18 Ga. Type 316 Stainless Steel Frame
- ▶ Mitered and Welded Corners
- ▶ Inverted "V" Design
- ▶ Blades 24 Ga. Hemmed Edges
- ▶ Type 316 Stainless Steel
- ▶ Countersunk Mounting Screw-Holes
- ▶ #8 X 1" Phillips Head SMS
- ▶ Free Area 55%
- ▶ #4 Satin Finish
- ▶ Stock Sizes:
 - 12" x 12" 24" x 12"
 - 18" x 12" 24" x 18"
 - 18" x 18" 24" x 24"

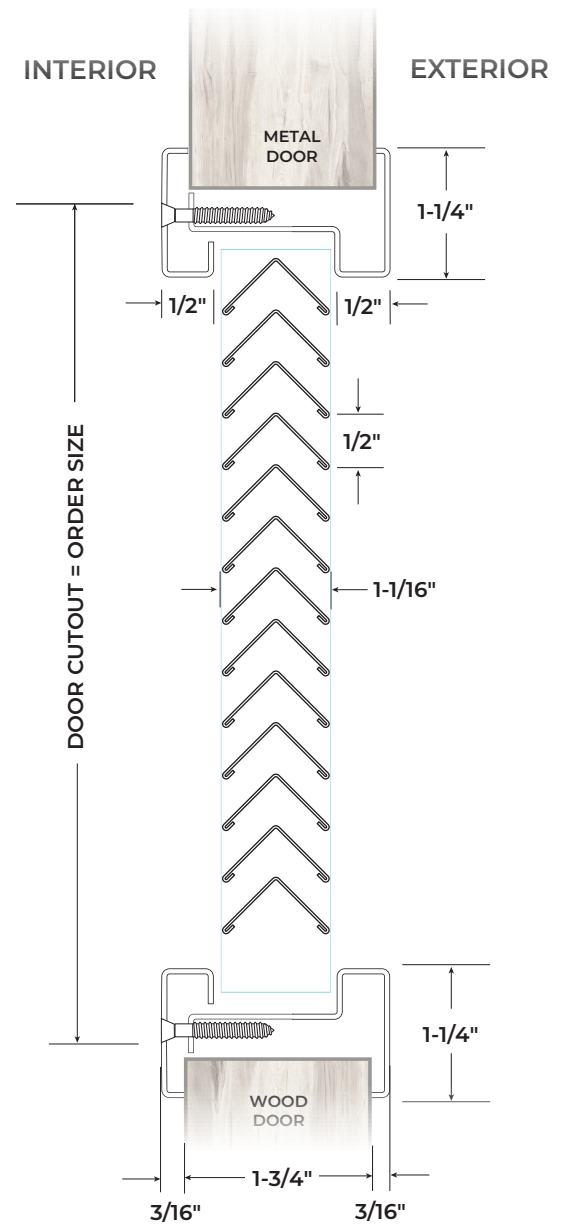
Available Options

- ▶ Torx Security Screws



L-700-A-316SS

Undersized 1/16" for Clearance



L-700-RX-316SS

Not To Scale

Undersized 1/8" for Clearance

Designed for Use on 1 3/4" Thick Doors Manufactured Within Door Industry Tolerance of +/- 1/16".