



HS-1

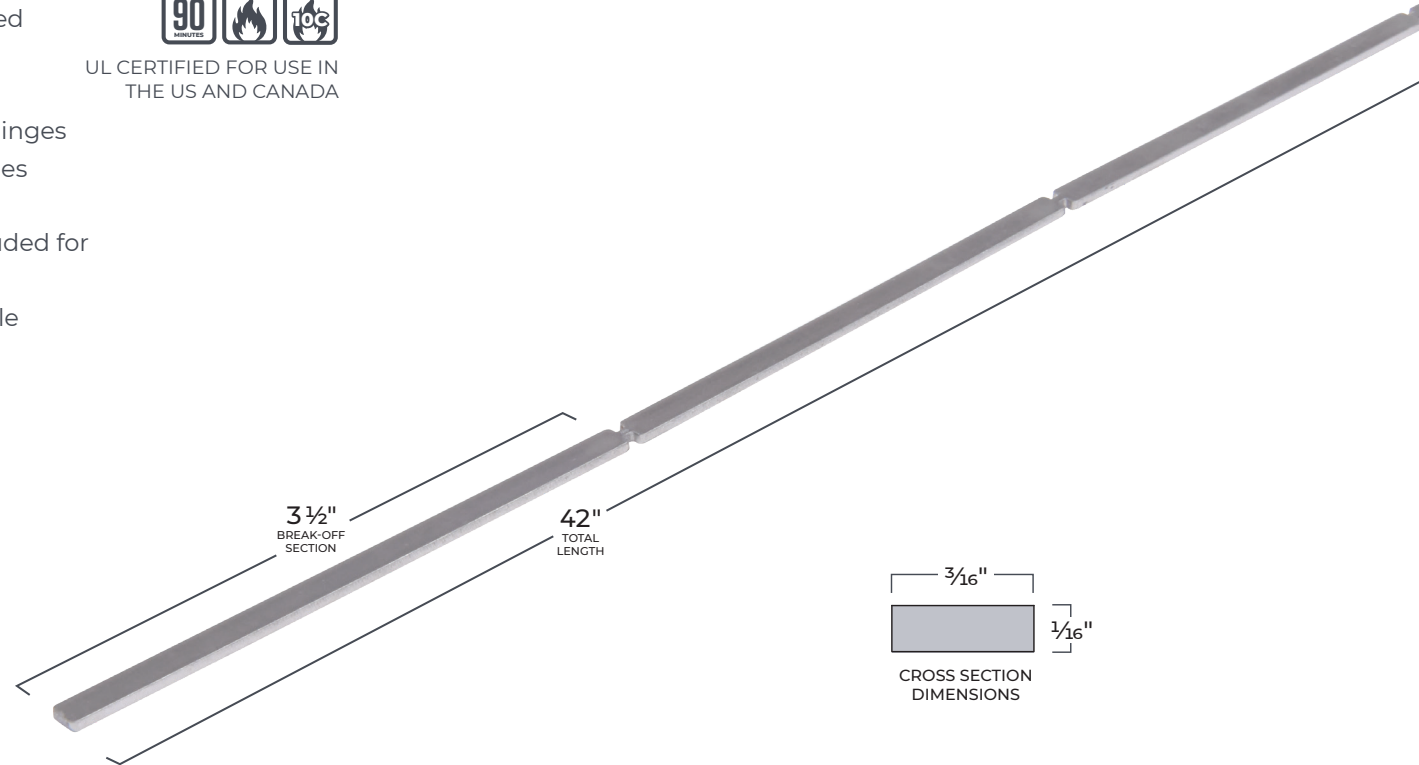
Steel Hinge Shims

PRODUCT CUT SHEET

- ▶ Use to Shim Hinges to Achieve Required Clearances Between Door and Frame
- ▶ Dual Purpose Shim
 - Use Full 42" Length for Continuous Hinges
 - Break-Off 3 1/2" Sections for Butt Hinges
- ▶ Steel Fire-Rated Shims
- ▶ Pressure Sensitive Adhesive Pads Included for Holding in Place During Installation
- ▶ Removable, Re-Stickable, and Stackable
- ▶ Available in Boxes of Ten



UL CERTIFIED FOR USE IN
THE US AND CANADA



PROJECT:
SUBMITTED BY:
DATE:
NOTES:

NGP-GAP-HS-1-PCS-1223-A

NATIONAL GUARD PRODUCTS, INC.

MEMPHIS

4985 East Raines Road
Memphis, TN 38118

CARSON CITY

3689 Arrowhead Drive
Carson City, NV 89706

Fax: (800) 255-7874

Email: info@ngp.com

Quotes: quotes@ngp.com

Orders: orders@ngp.com

ngp.com
1-800-NGP-RUSH