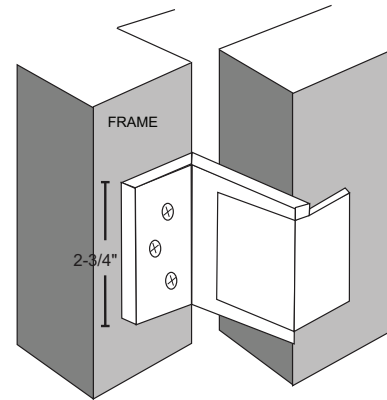
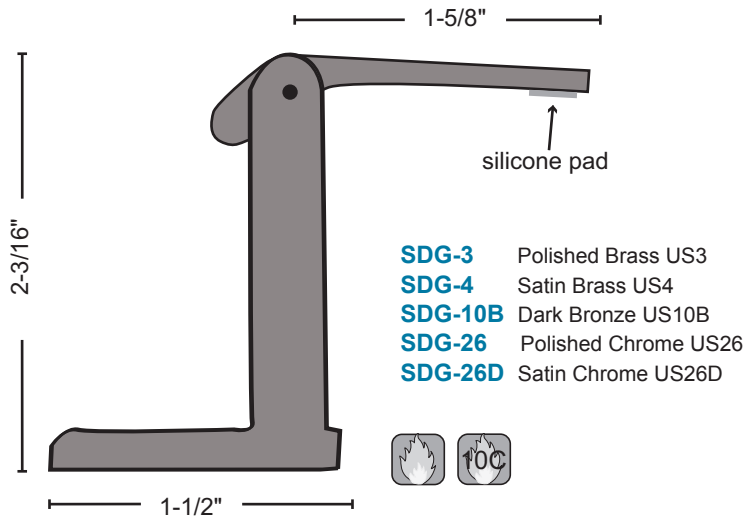


Security Door Guard

- Prevents door from opening, allowing guest or resident privacy when engaged
- Disengage to operate door normally
- Can not be used to prop door open
- Silicone pad at door contact point
- UL listed fire door accessory
- Mount 48" or less above floor for ADA compliance

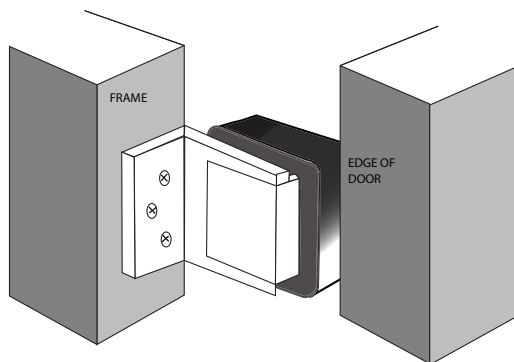


Hold-Open Accessory



SDG-HO

- Foam rubber block with slot
- Slides onto Security Door Guard allowing the door to be held open by housekeeping or service personnel
- Will not mark or mar door or security door guard



Stickers for Retrofit

- Covers holes left in door and frame from removal of swing-bar type door guards



SDG-ET Emergency Tool (not illustrated)

- Used to deactivate security door guard for emergency access