



# HD5300

## Half Surface Continuous Geared Hinge

### PRODUCT CUT SHEET

PROJECT:
SUBMITTED BY:
DATE:
NOTES:

#### $\frac{3}{32}$ " Door Inset for $1\frac{3}{4}$ " to $2\frac{1}{4}$ " Doors

- ▶ Aluminum Alloy 6063-T6; Anodized After Machining
- ▶ Specially Designed Involute Intermeshing Gears
- ▶ Proprietary Teflon Infused Self-Lubricating Wear-Resistant Bearings
- ▶ No Hinge Reinforcement Necessary Except on Extremely Heavy, Extremely High-Frequency or Extra-Wide Doors
- ▶ Lifetime of the Door Opening Warranty
- ▶ Frame Leaf: #12-24 TEK Flat Head MS
- ▶ Door Leaf: #12-24 TEK Pan Head MS and  $\frac{1}{4}$ "-20 Thru-Bolts
- ▶ Standard Lengths: 83", 85", 95", 119"

#### Options:

- ▶ #12 x  $1\frac{1}{2}$ " Wood Screws
- ▶ Torx Security TEK & T.B. M.S.
- ▶  $1\frac{1}{2}$ " Torx Security Wood Screws
- ▶ Cut to Net Length - Specify Door Handing
- ▶ Anti-Ligature Hospital Tip - Specify "TIPIT-LG"
- ▶ Dutch Door Prep - Order Form Available at [ngp.com](http://ngp.com)
- ▶ EPT Prep - Order Form Available at [ngp.com](http://ngp.com)

#### Finishes:

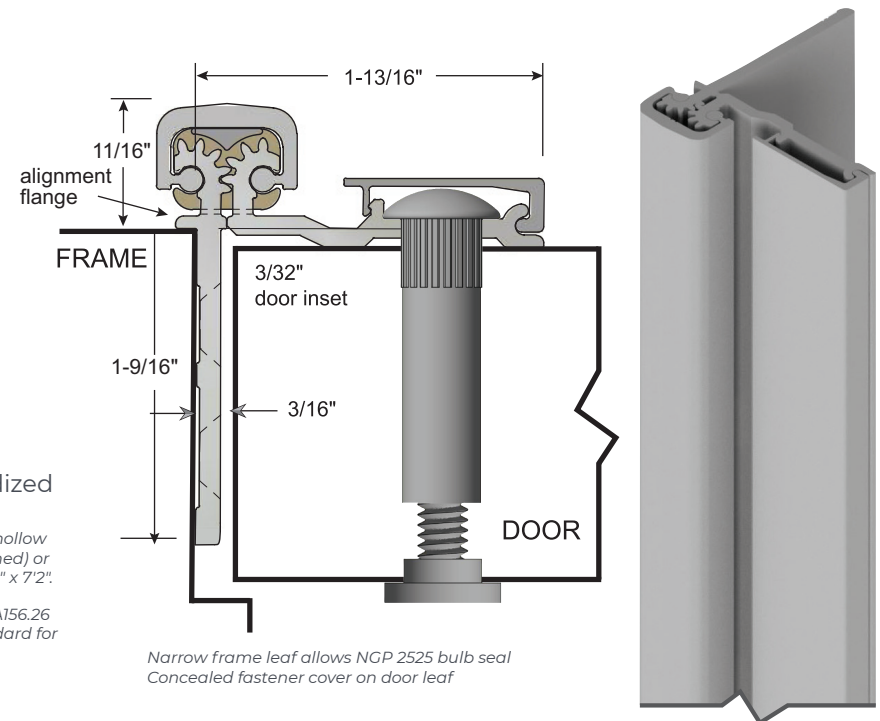
- A - Anodized Aluminum
- DKB - Dark Bronze Anodized



Fire-rated 90 minute on hollow metal (except steel stiffened) or wood door leaves up to 4'0" x 7'2".



ANSI/BHMA Certified to A156.26 American National Standard for Continuous Hinges: Grade 1 - 600 lb. Door



Note: For Door Sizing Refer to Installation Instruction.

NGP-CHG-HD5300-PCS-1224-A

#### NATIONAL GUARD PRODUCTS, INC.

##### MEMPHIS

4985 East Raines Road  
Memphis, TN 38118

##### CARSON CITY

3689 Arrowhead Drive  
Carson City, NV 89706

Fax: (800) 255-7874

Email: [info@ngp.com](mailto:info@ngp.com)

Quotes: [quotes@ngp.com](mailto:quotes@ngp.com)

Orders: [orders@ngp.com](mailto:orders@ngp.com)

[ngp.com](http://ngp.com)  
1-800-NGP-RUSH