



Half Surface Swing Clear Continuous Geared Hinge 1/32" Door Inset for 1-3/4" to 2-1/4" Doors HD4200

Material

- Aluminum alloy 6063-T6; Anodized after machining
- Specially designed involute intermeshing gears
- Wear surfaces are lifetime anti-friction lubricated with a naturally hydrophobic graphite that doesn't attract dust or dirt
- Proprietary teflon infused self-lubricating wear resistant bearings
- No hinge reinforcement necessary except on extremely heavy, extremely high frequency or extra wide doors
- Lifetime of the door opening warranty
- Frame leaf: #12-24 TEK flat head MS
- Door leaf: #12-24 TEK pan head MS and 1/4"-20 thru-bolts
- Standard lengths: 83", 85", 95", 119"

Available Options:

- #12 x 1-1/2" wood screws
- Torx security TEK & T.B. M.S.
- Cut to net length - specify door handing
- Anti-ligature hospital tip - specify "ALHT" and door handing
- Dutch door prep - specify door handing, top door leaf length, and clearance between leaves



Fire-rated 90 minute on hollow metal (except steel stiffened) or wood door leaves up to 4'0" x 7'2".



ANSI/BHMA certified to A156.26 American National Standard for Continuous Hinges:
Grade 1 - 150 lb. door
Grade 1 - 600 lb. door

Finishes:

- A - anodized aluminum
- DKB - dark bronze anodized

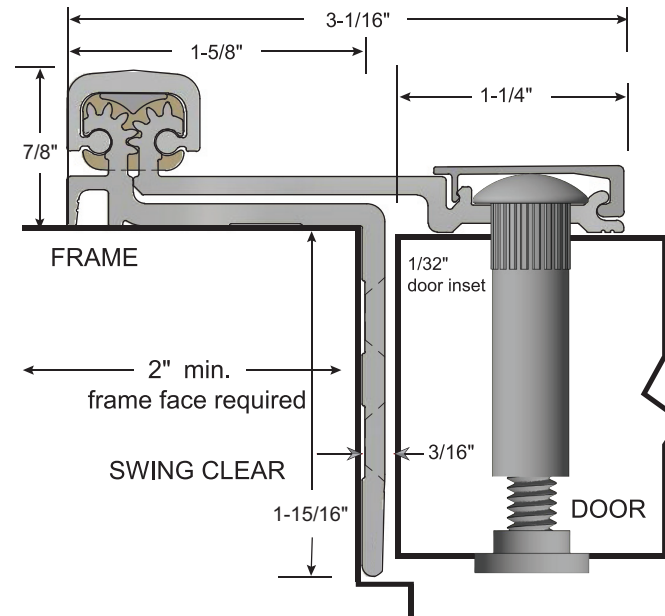
Note: For Door Sizing Refer to Installation Instruction.

Project:

Submitted by:

Date:

Notes:



Frame leaf covers butt hinge preps
Concealed fastener cover on door leaf

