



HD1800, HD1800-LL

Concealed Continuous Geared Hinge

PRODUCT CUT SHEET

1/8" Door Inset, for 1 3/4" Doors

- ▶ Aluminum Alloy 6063-T6; Anodized After Machining
- ▶ Specially Designed Involute Intermeshing Gears
- ▶ Proprietary Teflon Infused Self-Lubricating Wear-Resistant Bearings
- ▶ No Hinge Reinforcement Necessary Except on Extremely Heavy, Extremely High-Frequency or Extra-Wide Doors
- ▶ Lifetime of the Door Opening Warranty
- ▶ #12-24 TEK MS
- ▶ "LL" Model for Doors up to 1,000 Lbs. Features Lead-Lined Dual Row Hole Pattern
- ▶ Standard Lengths: 83", 85", 95", 119"

Options:

- ▶ #12 x 1 1/2" Wood Screws
- ▶ Torx Security TEK Screws
- ▶ 1 1/2" Torx Security Wood Screws
- ▶ Cut to Net Length - Specify Door Handing
- ▶ Anti-Ligature Hospital Tip - Specify "ALHT" and Door Handing
- ▶ Dutch Door Prep - Specify Door Handing, Top Door Leaf Length, and Clearance Between Leaves

Finishes:

- A - Anodized Aluminum
- DKB - Dark Bronze Anodized

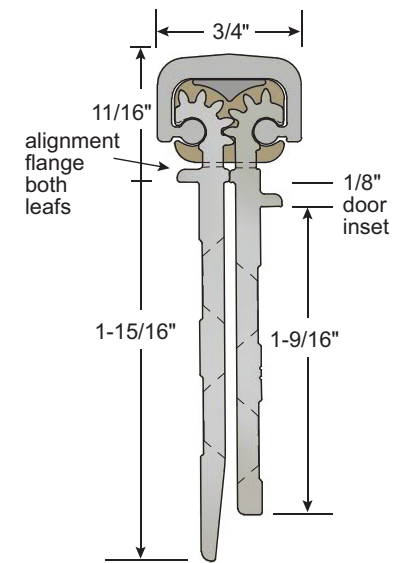


Fire-rated 90 minute on hollow metal (except steel stiffened) or wood door leaves up to 4'0" x 8'0" and steel stiffened doors up to 4'0" x 7'2".

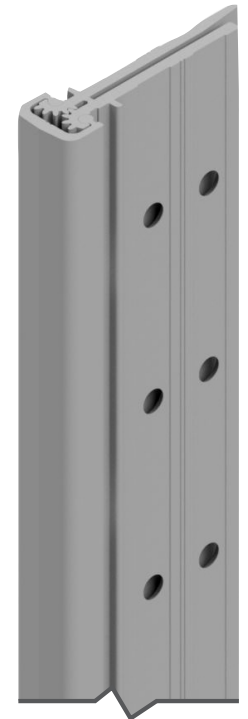


ANSI/BHMA Certified to A156.26 American National Standard for Continuous Hinges:
Grade 1 - 150 lb. Door
Grade 1 - 600 lb. Door

PROJECT:
SUBMITTED BY:
DATE:
NOTES:



Frame leaf covers butt hinge preps



Note: For Door Sizing Refer to Installation Instruction.

NGP-CHG-HD1800-PCS-1220-A