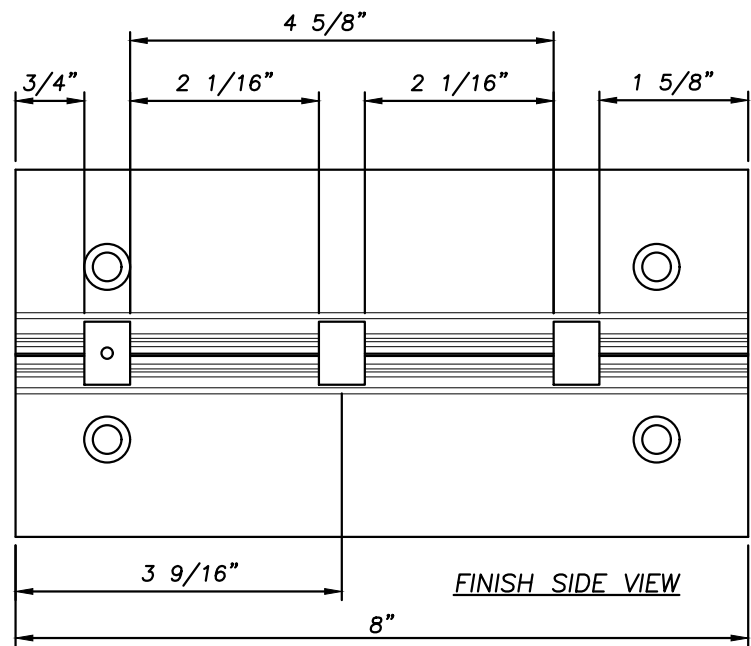
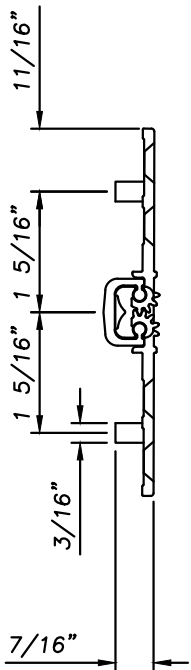
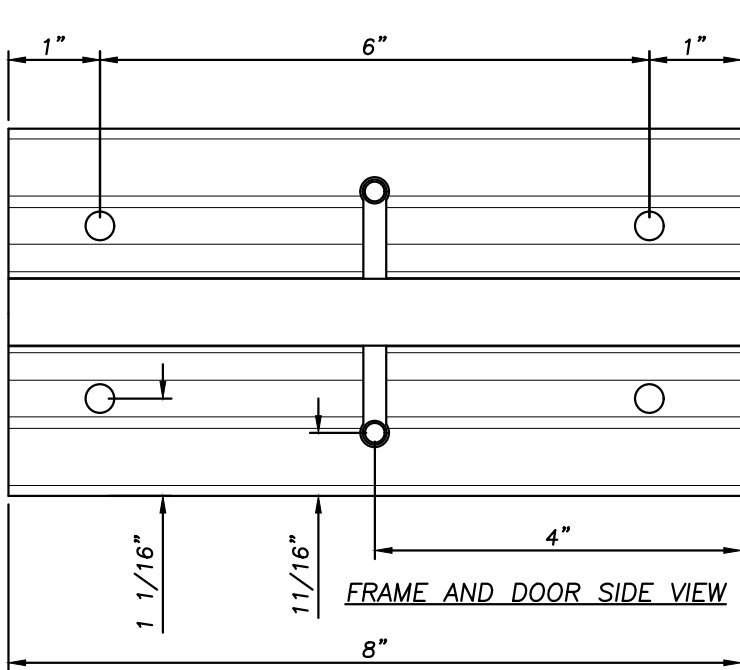


COMPANY:
 ACCOUNT#
 ADDRESS:
 ADDRESS:
 PHONE:
 FAX:
 CONTACT:

REVISIONS			
REV.	DESCRIPTION	DATE	APPR'D
A			

HD1100 X ETW8 DIMENSIONS FRONT, BACK AND PROFILE VIEW

DRILL 1/4" TO 1/2" HOLE TO ACCEPT THE ETW8.




AVAILABLE FINISHES:

- A = CLEAR STAIN ANODIZED
- DKB = DARK BRONZE ANODIZED

*FOR DOOR UNDERSIZING, PLEASE REFER TO THE INSTALLATION INSTRUCTIONS

TOLERANCE = ALUMINUM ASSOCIATION

		NATIONAL GUARD PRODUCTS, INC. 4985 EAST RAINES ROAD MEMPHIS, TN 38118 PHONE (800) 647-7874 FAX (800) 255-7874		
		TITLE: HD1100 X ETW8 DIMENSIONS		
DRAWN BY: DANNY TOMPKINS	FSCM NO.	DWG NO. 1	SIZE A	
SCALE: HALF	DATE: 11/21/07	SHEET: 1 OF 1	REV A	