


Thermal Break Door Shoes

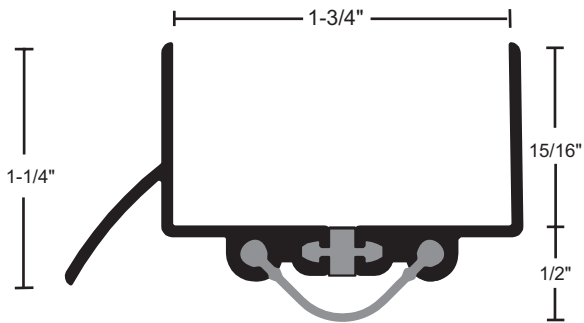
Thermal break door shoes feature a rigid spline creating a separation to prevent the transfer of outside temperature and frost through the door shoe.

#6 x 3/4" stainless steel sheet metal screws furnished.
Screw holes slotted for adjustment.

All door shoes this page 

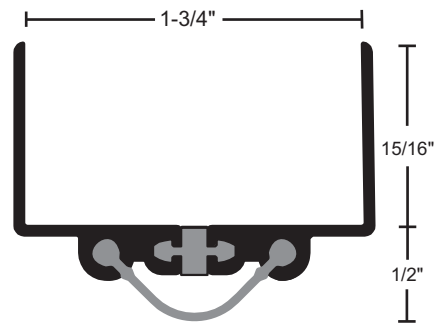
MATERIALS & FINISHES
A - anodized aluminum
DKB - dark bronze

819 Series



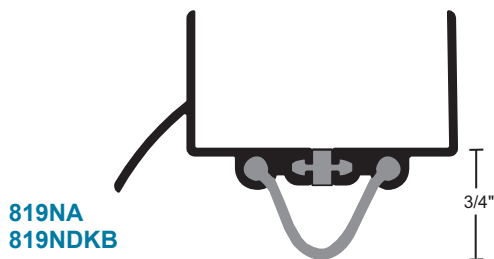
819VA
819VDKB

816 Series

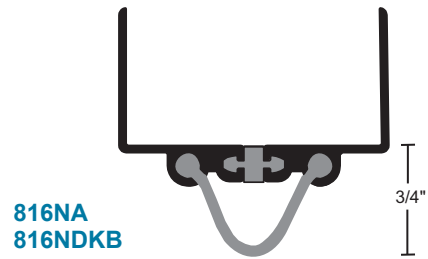


816VA
816VDKB

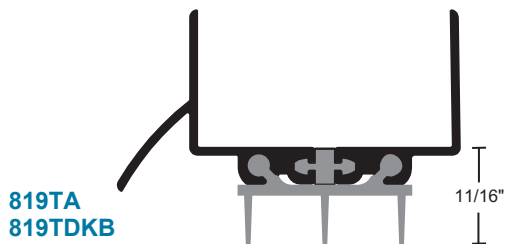
Gasketing options:



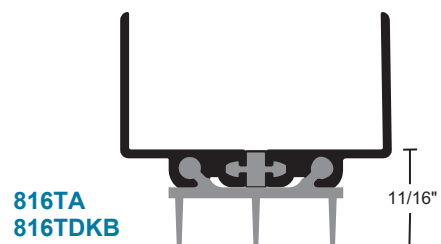
819NA
819NDKB



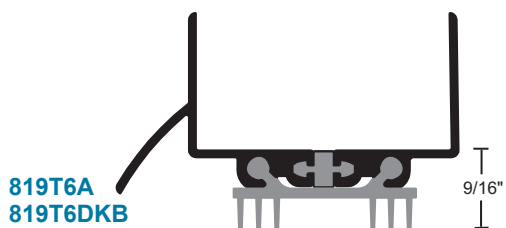
816NA
816NDKB



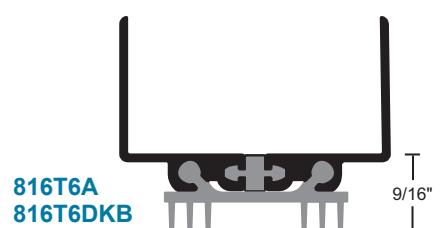
819TA
819TDKB



816TA
816TDKB



819T6A
819T6DKB



816T6A
816T6DKB