

# GAPGUARD™ STRIKES

90 MINUTE STRIKE SHIMS



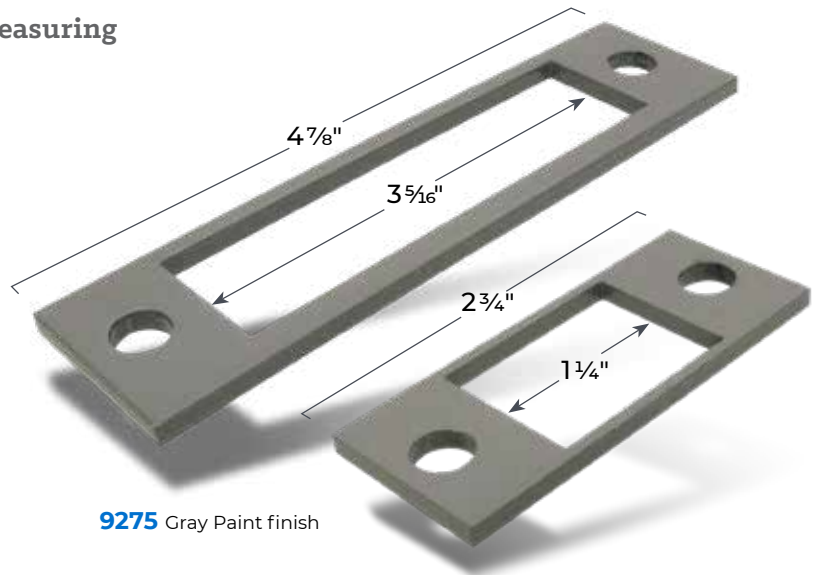
UL Certified Miscellaneous GAPGUARD™ for Excessive Door and Frame Clearances, Measuring up to 5/16".

**9275** - Fits 4 7/8" 'ASA' Strike Plate

**9225** - Fits 2 3/4" 'T' Strike Plate

UL Certified Miscellaneous Fire Door Accessory for Excessive Door and Frame Clearances, Measuring Up To 5/16"

Required for Proper Latchbolt Engagement  
90-Minute Rated UL10B and UL10C Wood or Hollow Metal Fire Doors



**9275** Gray Paint finish

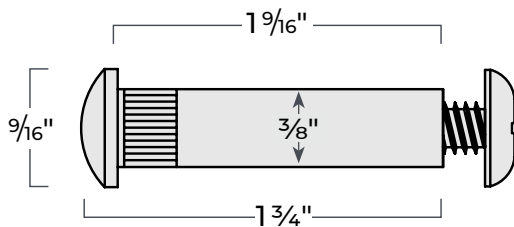
**9225** Gray, Paint finish

# GAPGUARD™ THRU-BOLTS

90 MINUTE THRU-BOLTS

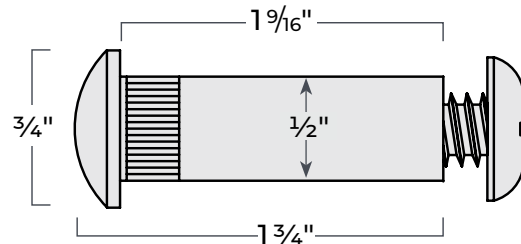


- ▶ Fits 1 3/4" to 2" Thick Doors
- ▶ Zinc-Plated Steel Sleeve with Machine Screws
- ▶ Meets Requirements of NFPA 80 for Use on Fire Doors
- ▶ Use to Fill Holes in Wood or Steel Fire Doors to Protect Label Compliance
- ▶ Available in Boxes of Twenty



**FDTB 3/8"**

Thread Size 3/4-20



**FDTB 1/2"**

Thread Size 9/16-18