

Strike Shims — 90 Minute

9275 - Fits 4-7/8" 'ASA' Strike Plate

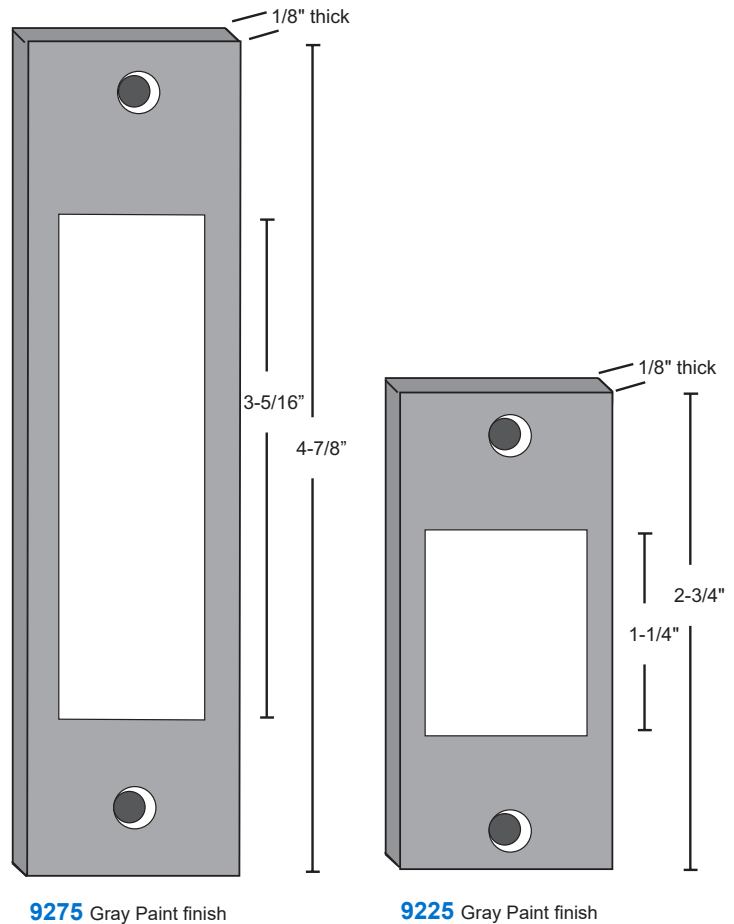
9225 - Fits 2-3/4" 'T' Strike Plate

UL Certified Miscellaneous Fire Door Accessory for excessive door and frame clearances, measuring up to 5/16"

Required for proper latchbolt engagement.



90 minute rated UL10B and UL10C wood or hollow metal fire doors



9275 Gray Paint finish

9225 Gray Paint finish

Fire Door Thru-Bolts

- Zinc Plated Steel Thru-Bolt Sleeve with Machine Screw
- Fits 1-3/4" to 2" thick doors
- Meets requirements of NFPA 80 for use on Fire Doors
- Use to fill holes in wood or steel fire doors to protect label compliance
- Available in boxes of twenty



FDTB 1/2"
FDTB 3/8"

