



FDLS-SS

Stainless Steel Inverted Split Y No Vision Door Louver

PRODUCT CUT SHEET

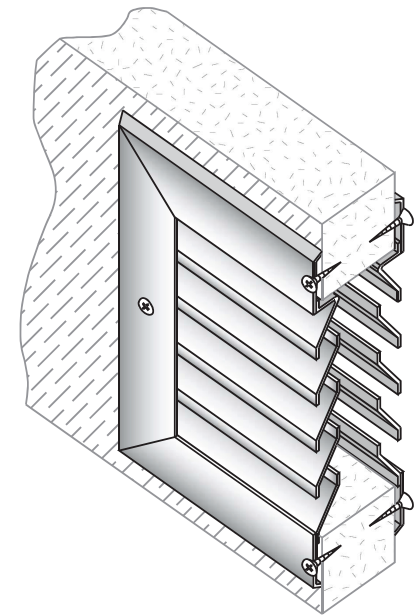
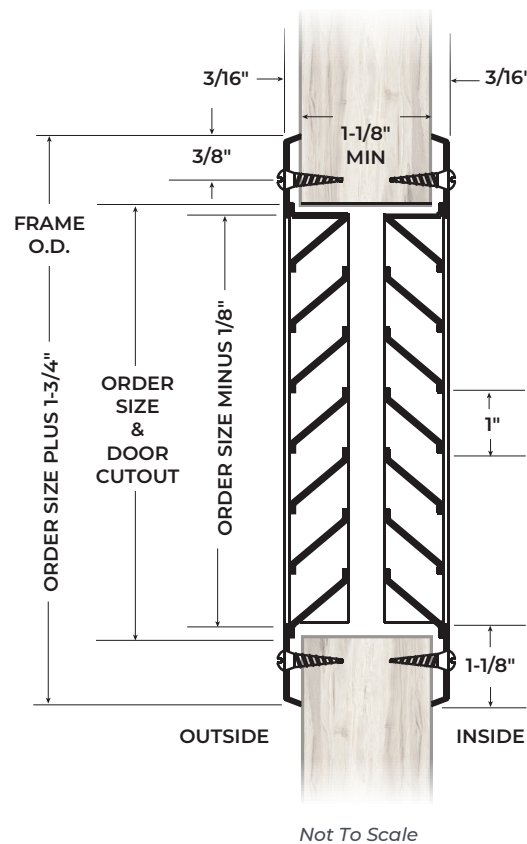
PROJECT:
SUBMITTED BY:
DATE:
NOTES:

For 1 1/8" and Over Thick Doors

- ▶ 18 Ga. Type 304 Stainless Steel
- ▶ Mitered and Welded Corners
- ▶ Counter-Sunk Mounting Screw-Holes
- ▶ #8 X 3/4" Phillips Head SMS
- ▶ Available in Uneven and Fractional Sizes
- ▶ Free Area 50%
- ▶ #4 Satin Finish

Available Options

- ▶ Type 316 Stainless Steel – Specify FDLS-316SS
- ▶ Aluminum Insect Screen - 22 Ga. 1/8" Square Mesh Installed on Exterior Side Unless Requested Otherwise
- ▶ Torx Security Screws



NGP-LIT-FDLS-SS-PCS-1022-A

NGP MEMPHIS
4985 East Raines Road
Memphis, TN 38118
orders@ngp.com

NGP VEGAS
4584 Calimesa Street
Las Vegas, NV 89115
vegasorders@ngp.com

ngp.com
1-800-NGP-RUSH