

## HD1400 HD1400-LL

### Concealed Continuous Geared Hinge 1/16" Door Inset, for 1-3/4" Doors

Continuous geared aluminum hinges run the full height of the door evenly distributing the weight of the door along the full height of the frame. Ideal for high frequency and heavy weight doors in new construction and retrofit applications.

- Aluminum alloy 6063-T6; Anodized after machining
- Specially designed involute intermeshing gears
- Wear surfaces are lifetime anti-friction lubricated with a naturally hydrophobic graphite that doesn't attract dust or dirt
- Proprietary teflon infused self-lubricating wear resistant bearings
- No hinge reinforcement necessary except on extremely heavy, extremely high frequency or extra wide doors
- Lifetime of the door opening warranty
- #12-24 TEK MS
- "LL" model for doors up to 1,000 lbs. features lead-lined dual row hole pattern
- Standard lengths: 83", 85", 95", 119"

#### Available Options:

- #12 x 1-1/2" wood screws
- Torx security TEK screws
- Cut to net length - specify door handing
- Anti-ligature hospital tip - specify "ALHT" and door handing
- Dutch door prep - specify door handing, top door leaf length, and clearance between leaves

#### Finishes:

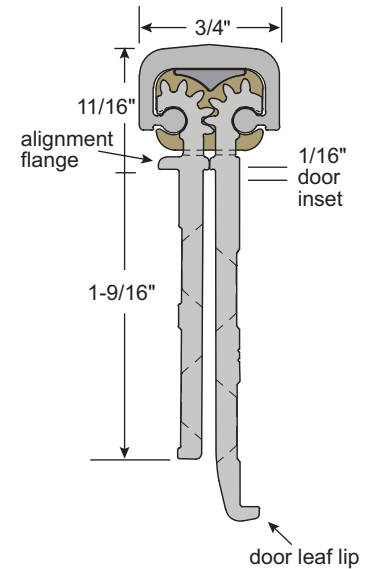
A - anodized aluminum  
DKB - dark bronze anodized



Fire-rated 90 minute on hollow metal (except steel stiffened) or wood door leaves up to 4'0" x 8'0" and steel stiffened doors up to 4'0" x 7'2".



ANSI/BHMA certified to A156.26 American National Standard for Continuous Hinges:  
Grade 1 - 150 lb. door  
Grade 2 - 300 lb. door  
Grade 1 - 600 lb. door



Narrow frame leaf allows  
NGP 2525 bulb seal

