

TIPIT® LG

Anti-ligature Hospital Tip

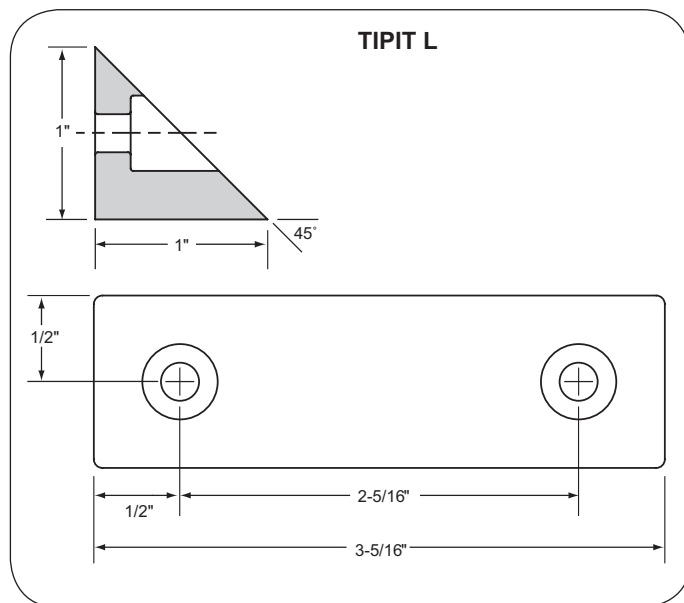
For use in Hospitals, Correctional Facilities, Schools and other Institutions

Make rooms safer and meet legal requirements by retrofitting doors with the patented TIPIT® hospital tip. The tip deters patients or inmates from harming themselves by hanging objects from the hinge.

- Prevents objects from being attached to top of hinge (ligature-resistant)
- Made from durable, high-tech polymer
- Securely fastens to door frame header
- Works for retrofit or new applications
- Fits most other brands of geared continuous hinges
- Includes #10 Torx® SST security screws
- Color: Gray

TIPIT hospital tip works with our geared continuous hinges to meet institutional requirements for preventing objects from being hung from the hinge.

Order the TIPIT hospital tip with any new geared continuous hinge, or add this safety feature to most other brands of full surface, half surface, concealed or swing clear geared continuous hinges (new or retrofit applications).



ALHT

Anti-ligature Hospital Tip

For use in Hospitals, Behavioral Health, Prisons and anywhere anti-ligature protection is required.

Available on concealed model hinges only.

