



# BR-7

## Thru-Bolted Security Lite Kit

### PRODUCT CUT SHEET

PROJECT:
SUBMITTED BY:
DATE:
NOTES:

#### For 1 3/4" up to 2 1/4" Thick Doors and 3/16" up to 1 13/16" Glass

- 7 Ga. Cold Rolled Steel Face Plate Outer Frame
- 10 Ga. Hot Rolled Pickled & Oiled Steel SG-10 Inside Frame for Glass up to 1" Thick
- 12 Ga. Hot Rolled Pickled & Oiled Steel SG-10 Inside Frame for Glass Over 1" Thick
- Countersunk Mounting Screw-Holes
- #8-32 Torx Security Pin Screw Thru-Bolts
- Gray Primer (GPZ) Powder Coat Finish

#### Required Information:

- Specify Door Thickness if Other Than 1 3/4"
- Specify Glass Thickness

#### Available Options

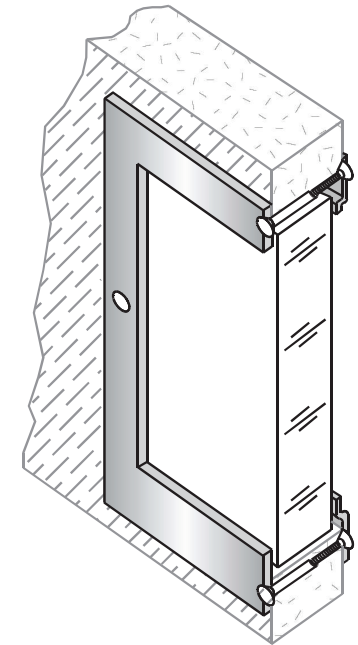
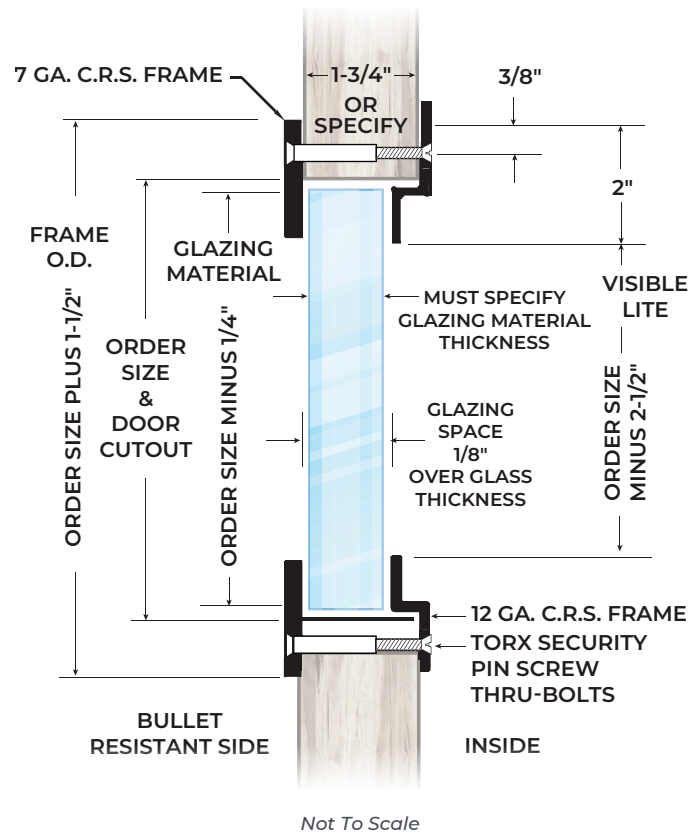
- Powder Coat Color Options - See Color Chart on [ngp.com](http://ngp.com)
- Zinc Electroplating

#### Ballistic Rated

- UL752 Level III as Part of Ballistic Door Assemblies

#### Impact Ratings

- Tested in Compliance with ASTM F-1450



Designed for Use on Doors  
Manufactured Within Door  
Industry Tolerance of +/- 1/16".

NGP-LIT-BR7-PCS-0424-A



### NATIONAL GUARD PRODUCTS, INC.

#### MEMPHIS

4985 East Raines Road  
Memphis, TN 38118

#### CARSON CITY

3689 Arrowhead Drive  
Carson City, NV 89706

Fax: (800) 255-7874

Email: [info@ngp.com](mailto:info@ngp.com)

Quotes: [quotes@ngp.com](mailto:quotes@ngp.com)

Orders: [orders@ngp.com](mailto:orders@ngp.com)

[ngp.com](http://ngp.com)  
1-800-NGP-RUSH