

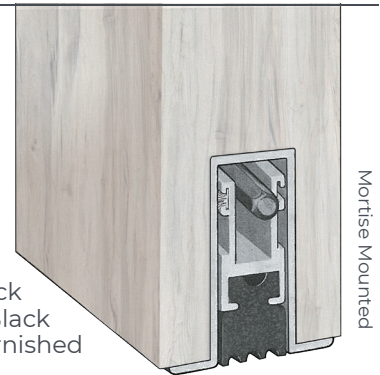
AUTOMATIC DOOR BOTTOMS

HEAVY-DUTY MORTISE

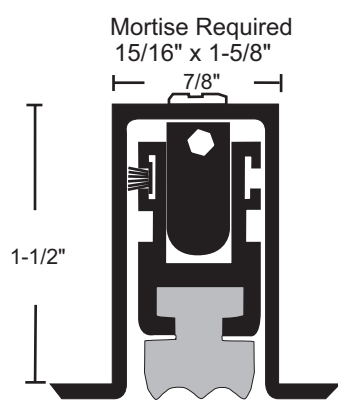
All Products on This Page:



- ◆ Fits Wood Fire Door Mortise Restrictions
- ◆ Use With a Threshold for Maximum Sealing Capability
- ◆ Nylon Brush Recommended for Carpet Applications Where No Threshold Is Provided
- ◆ Specify Exact Net Length Required to Avoid Field Sizing
- ◆ 36" and Longer May Be Cut up to 4" in the Field; Under 36" Should Not Be Cut in the Field, Order Net Length
- ◆ Anodized Aluminum End Caps Furnished Standard. DKB End Caps Available - Please Specify
- ◆ Furnished 1/2" Shorter Than Ordered to Fit Within Net Door Size (i.e. 36" is Furnished 35 1/2")



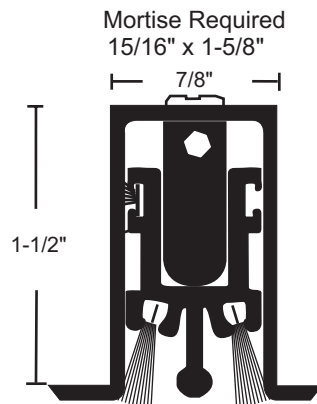
Neoprene is Black
Nylon Brush is Black
#4 x 5/8" SMS Furnished



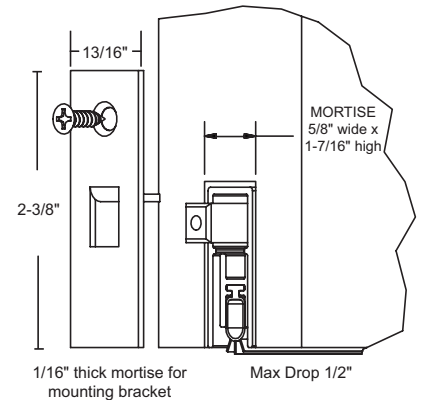
423N
Neoprene
3/4" Max Drop



Available 11" to 48" in Length.
1/16" Thick Lead Insert Available - Specify "Lead-Lined".
BHMA Certified to ANSI/BHMA A156.22, 1,000,000 Cycle Test-Grade 1.



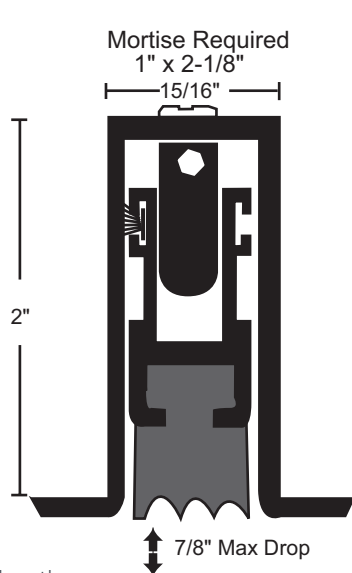
683
Nylon Brush
7/8" Max Drop



781S
Silicone is Gray
Available 23" to 96" in Length
Door Edge Mounting Brackets Allow Easy Access for Removal and Cleaning the Door Bottom Drop Mechanism. Perfect for Use in Healthcare and Other Facilities Subject to Stringent Standards and Inspections



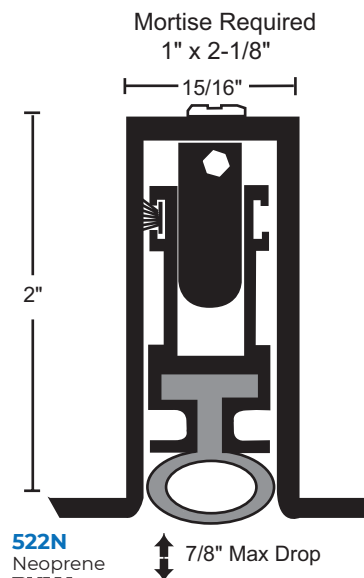
*Up to 3 Hrs. Metal Doors, 45 Minute Wood Doors (Does Not Fit Mortise Restrictions of Some Wood Door Manufacturers)



422N
Neoprene
7/8" Max Drop



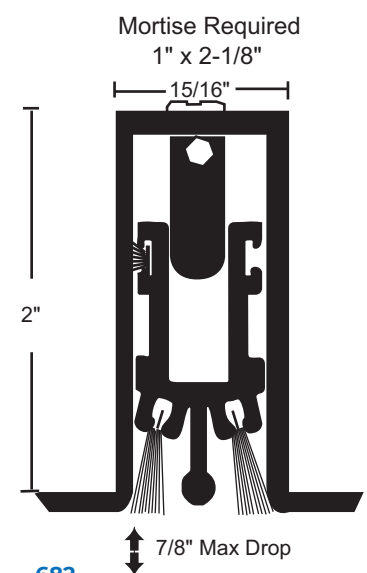
Available 11" to 60" in length.
1/16" Thick Lead Insert Available - Specify "Lead-Lined".



522N
Neoprene
7/8" Max Drop



Available 11" to 60" in Length.
BHMA Certified to ANSI/BHMA A156.22, 1,000,000 Cycle Test-Grade 1.



682
Black Nylon Brush
7/8" Max Drop
Available 11" to 60" in Length.