

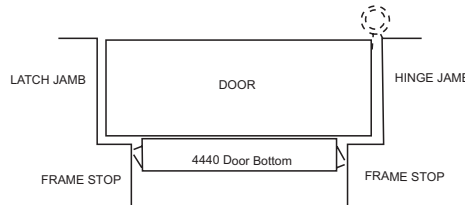
AUTOMATIC DOOR BOTTOMS

DUAL ACTUATED

All Products on this Page:



- Will not Function on Pairs of Doors
- Actuated by Frame Stop on Both Ends
- Low Compression and Operating Force
- Concealed Fasteners
- For Pairs use Matching Single Actuated Door Bottoms Shown Below
- Available 24" to 96" in Length
- May be Field Cut up to 3"



| PRODUCT# | SUFFIX | FINISH |
|----------|--------|-------------------|
| | A | Anodized Aluminum |
| | B | Gold |
| | DKB | Dark Bronze |
| | None | Mill Aluminum |

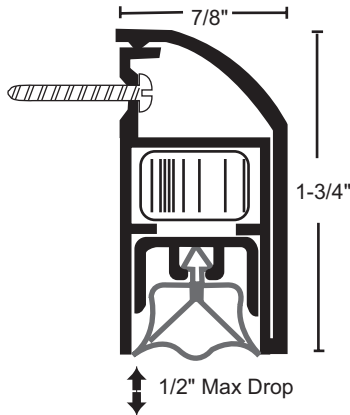
*Silicone is Gray
Gray Brush* with Mill Finish and Anodized Aluminum
Black Brush with Gold and DKB*

*Specify Black Brush if Desired

SURFACE

- 4440SA
- 4440SB
- 4440SDKB
- Silicone

- 4440WHA
- 4440WHB
- 4440WHDKB
- Nylon Brush

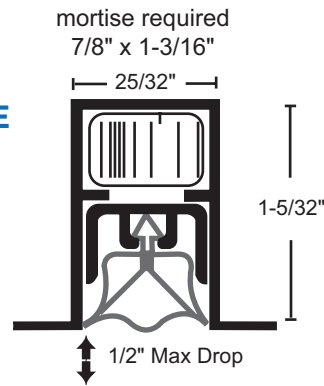


Furnished 1 3/8" Shorter than Ordered to Fit Between Stops on Frame. (i.e. 36" is Furnished 34 5/8")
#6 x 3/4" TEK Furnished

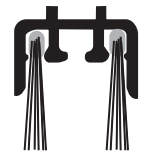
MORTISE

- 4447S
- Silicone

- 4447WH
- Nylon Brush



Furnished 1/4" Shorter than Ordered to Fit Net Door Width. (i.e. 36" is Furnished 35 3/4" Net)
#4 x 5/8" SMS Furnished



Drop Bar with Nylon Brush - Suffix "WH"

SINGLE ACTUATED AUTOMATIC DOOR BOTTOMS

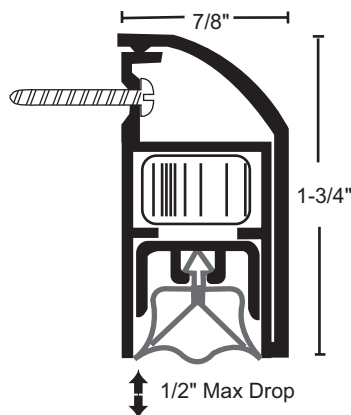
- Matches Design of Dual Actuated Door Bottoms. For use on Pairs of Doors or Field Size for Single Doors
- Low Compression and Operating Force
- Concealed Fasteners
- Available 24" to 96" in Length
- May be Field Cut up to 3"

SURFACE

- 4441SA
- 4441SB
- 4441SDKB
- Silicone

- 4441WHA
- 4441WHB
- 4441WHDKB
- Nylon Brush

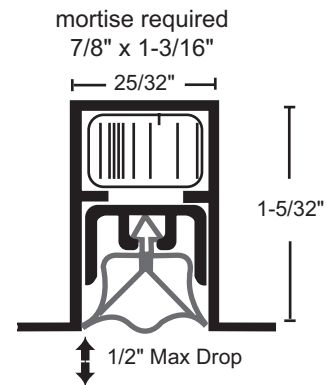
#6 x 3/4" TEK Furnished



MORTISE

- 4448S
- Silicone

- 4448WH
- Nylon Brush



Furnished 1/4" Shorter than Ordered to Fit Net Door Size. (i.e. 36" is Furnished 35 3/4" Net) #4 x 5/8" SMS Furnished

HANDED - NOT FIELD REVERSIBLE