



99NWH

Neoprene and Nylon Brush Extended Door Shoe

PRODUCT CUT SHEET

PROJECT:
SUBMITTED BY:
DATE:
NOTES:

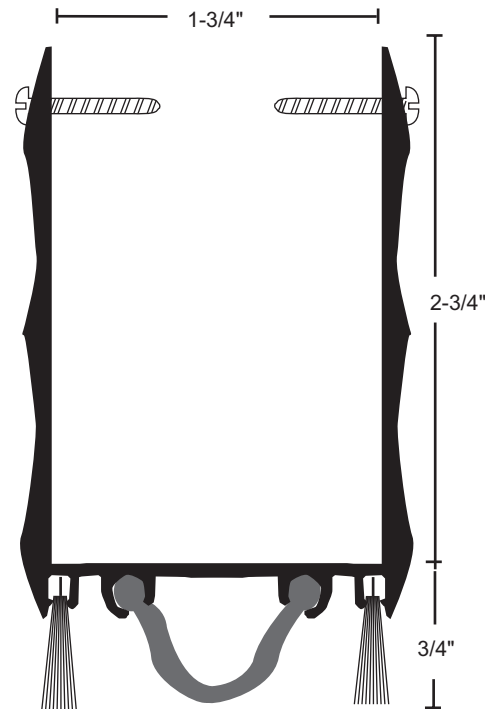
Material

Aluminum Alloy 6063, T5 Temper
Synthetic EPDM Rubber in Polypropylene Thermoplastic Matrix
Color is Black
Nylon Brush is Gray with Anodized Aluminum; Black with DKB

- ▶ Very Good Abrasion Resistance, Tensile Strength and Memory
- ▶ Flame-Resistant
- ▶ Moisture-Resistant
- ▶ Temperature Range -70°F to 275°F
- ▶ Good Resistance to Ozone, Sunlight and Aging
- ▶ BHMA Certified to ANSI/BHMA A156.22 Performance Tests for Heat and Cold
- ▶ #6 x 3/4" Stainless Steel SMS Furnished
- ▶ End Caps Available - Sold Separately

Finishes

99NWA	Anodized Aluminum	Gray Brush
99NWDKB	Dark Bronze	Black Brush



NGP-GKT-99NWH-PCS-1223-A

NATIONAL GUARD PRODUCTS, INC.

MEMPHIS

4985 East Raines Road
Memphis, TN 38118

CARSON CITY

3689 Arrowhead Drive
Carson City, NV 89706

Fax: (800) 255-7874
Email: info@ngp.com

Quotes: quotes@ngp.com
Orders: orders@ngp.com

ngp.com
1-800-NGP-RUSH