



# 97V

## Vinyl Sweep

### PRODUCT CUT SHEET

#### Material

Aluminum Alloy 6063, T5 Temper  
Thermoplastic Polymer: Polyvinyl Chloride (PVC) Formulated with an Environmentally Friendly Bio-based Plasticizer  
Vinyl is Black

- ▶ Economical
- ▶ Flame-resistant
- ▶ Moisture-Resistant
- ▶ Temperature Range 0°F to 140°F
- ▶ Oxidative Degradation from Age and Exposure to Cold, Heat and UV Causes Hardening, Loss of Memory and Resilience, Cracking, Crazeing and Discoloration
- ▶ #6 x 3/4" Stainless Steel SMS Furnished
- ▶ Screw Holes Slotted for Adjustment

#### Finishes

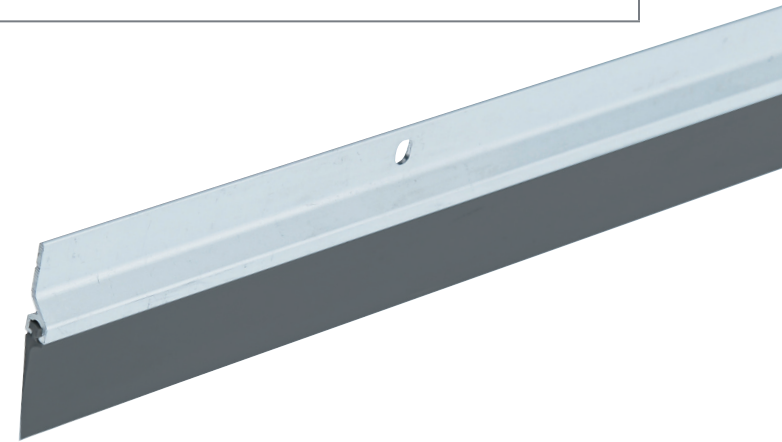
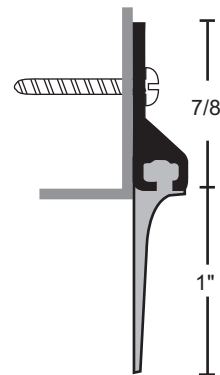
97V Mill Aluminum  
97VA Anodized Aluminum  
97VDKB\* Dark Bronze

#### Options

FATT - Fast Attach Tape



PROJECT:
SUBMITTED BY:
DATE:
NOTES:



NGP-GKT-97V-PCS-1223-A

#### NATIONAL GUARD PRODUCTS, INC.

##### MEMPHIS

4985 East Raines Road  
Memphis, TN 38118

##### CARSON CITY

3689 Arrowhead Drive  
Carson City, NV 89706

**Fax:** (800) 255-7874

**Email:** info@ngp.com

**Quotes:** quotes@ngp.com

**Orders:** orders@ngp.com

**ngp.com**  
1-800-NGP-RUSH