



9275

Steel Strike Shim

PRODUCT CUT SHEET

PROJECT:
SUBMITTED BY:
DATE:
NOTES:

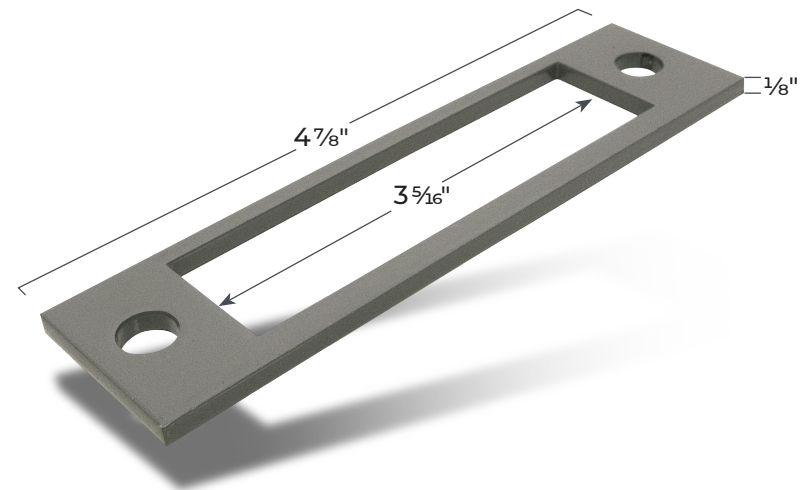
Fits 4 7/8" 'ASA' Strike Plate



- ▶ UL Certified Miscellaneous Fire Door Accessory for Excessive Door and Frame Clearances, Measuring up to 5/16"
- ▶ 90-Minute Rated UL10B and UL10C Wood or Hollow Metal Fire Doors
- ▶ NGP 9200 Intumescent Seal Excessive Clearance Solution is also Required Where Excessive Clearance Occurs at Jambs and Head on 20-Minute Fire Doors
- ▶ NGP 9400 Intumescent Seal, 9945 Steel Stop Extender, 5075 Self-Adhesive Seal Excessive Clearance Solutions Are Also Required Where Excessive Clearance Occurs at Jambs and Head on 90-Minute Fire Doors

FINISH:

Gray



NGP-GAP-9275-PCS-0822-B

NGP MEMPHIS
4985 East Raines Road
Memphis, TN 38118
orders@ngp.com

NGP VEGAS
4584 Calimesa Street
Las Vegas, NV 89115
vegasorders@ngp.com

ngp.com
1-800-NGP-RUSH