



9000

Allseal® Gasketing Perimeter Seal

PRODUCT CUT SHEET

PROJECT:
SUBMITTED BY:
DATE:
NOTES:

Material

Aluminum Alloy 6063, T5 Temper
 Synthetic Polymer: Polyamide
 Nylon Brush Plus

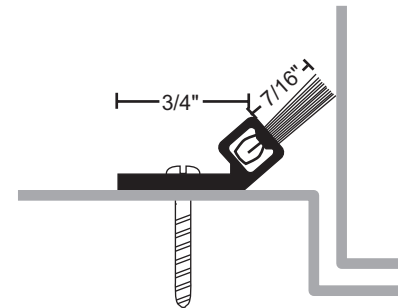
- ▶ Premium Grade Seals Specially Formulated to Withstand Greater Temperature Extremes While Providing Maximum Protection Against Air Infiltration
- ▶ Excellent Abrasion Resistance, Flexibility and Memory
- ▶ Moisture Resistant
- ▶ Retains Insecticides Well
- ▶ Temperature Range -70°F To 425°F
- ▶ BHMA Certified to ANSI/BHMA A156.22 Performance Tests for Heat, Cold, Air Infiltration and Smoke Infiltration in Most Common Profiles as Indicated by BHMA Certified Symbol
- ▶ REACH and RoHS Compliant
- ▶ Not Effective Against Water Penetration
- ▶ #6 X ¾" Stainless Steel Sheet Metal Screws Furnished
- ▶ Screw Holes Slotted for Adjustment

Finishes

9000	Mill Aluminum	Gray Brush
9000A	Anodized Aluminum	Gray Brush
9000B	Gold	Black Brush
9000DKB	Dark Bronze	Black Brush

Options

FATT - Fast Attach Tape



NGP-GKT-9000-PCS-1120-A