



Overhead Door Bottom Seal

81369N Neoprene

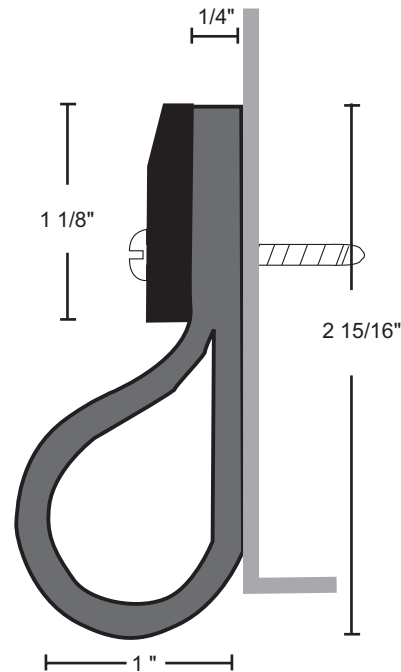
Material

Aluminum alloy 6063, T5 temper
Synthetic rubber polymer blend:
Chloroprene and EPDM
Neoprene insert is black

Finishes

81369N Mill Aluminum
81369NDKB Dark Bronze

- Very good abrasion resistance, tensile strength and memory
- Flame resistant
- Moisture resistant
- Temperature range -20°F to 200°F
- Good resistance to ozone sunlight and aging
- #8 x 1-1/4" stainless steel SMS



#8 x 1 1/4" Stainless Steel SMS

Project:
Submitted by:
Date:
Notes: