



781S

Mortise Silicone Slimline Automatic Door Bottom

PRODUCT CUT SHEET

Material

Aluminum Alloy 6063, T5 Temper
Synthetic Rubber Polymer: Siloxane
Silicone Is Gray

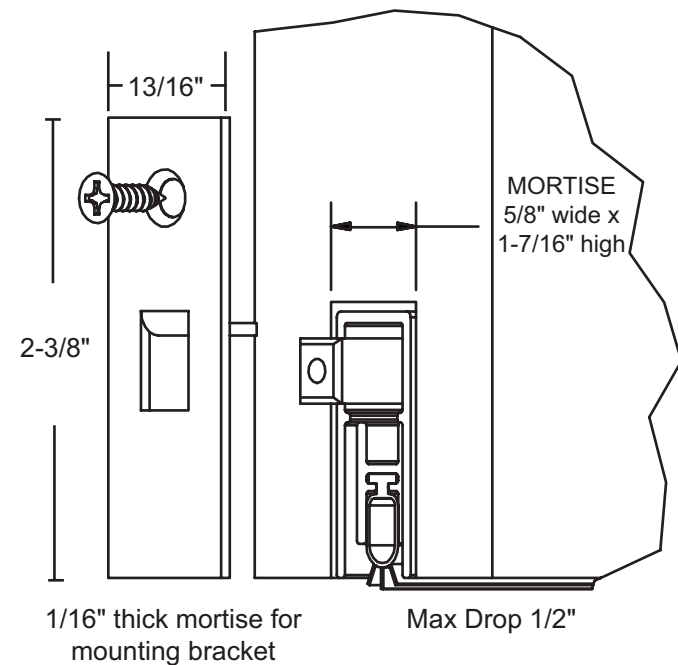
- ▶ Door Edge Mounting Brackets Allow Easy Access for Removal and Cleaning the Door Bottom Drop Mechanism
- ▶ Perfect for Use in Healthcare and Other Facilities Subject to Stringent Standards and Inspections
- ▶ Excellent Flexibility and Memory
- ▶ Flame Resistant
- ▶ Moisture Resistant
- ▶ Temperature range -100°F to 500°F, Remains Flexible at Extreme Temperatures
- ▶ Excellent Resistance to Ozone, UV and Aging
- ▶ Recommended for Areas Using FM200 or Halon Fire Suppression Systems
- ▶ Use with a Threshold for Maximum Sealing Capability
- ▶ Specify Exact Net Length Required to Avoid Field Sizing
- ▶ 36" and Longer May Be Cut Up To 4" in the Field, Under 36" Should Not Be Cut in the Field, Order Net Length
- ▶ Furnished 1/2" Shorter Than Ordered to Fit Within Net Door Size. (i.e. 36" is Furnished 35 1/2")
- ▶ Available 23" to 96" in Length
- ▶ Mortise Bottom of Door on Centerline 5/8" Wide x 1 7/16" Deep
- ▶ Mounting Bracket 1 3/16" Width x 2 3/8" Height May Also be Mortised if Desired
- ▶ Endurance Tested to 5 Million Cycles
- ▶ 1/2" Max. Drop

Finishes

781SA Anodized Aluminum
781SDKB Dark Bronze



PROJECT:
SUBMITTED BY:
DATE:
NOTES:



NGP-GKT-781S-PCS-0820-A