



# 683

## Nylon Brush Heavy Duty Mortise Automatic Door Bottom

### PRODUCT CUT SHEET

#### Material

Aluminum Alloy 6063, T5 Temper  
Synthetic Polymer: Polyamide  
Nylon Brush is Black

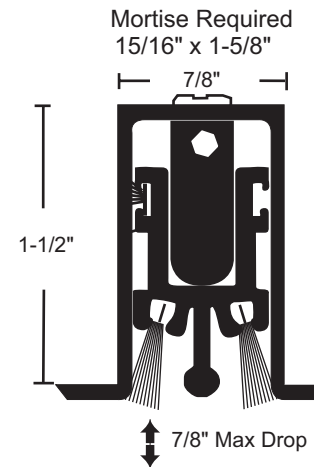
- ▶ Excellent Abrasion Resistance, Flexibility and Memory
- ▶ Moisture-Resistant
- ▶ Retains Insecticides Well
- ▶ Temperature Range -70°F to 425°F
- ▶ Not Effective Against Water Penetration
- ▶ Use with a Threshold for Maximum Sealing Capability
- ▶ Nylon Brush Recommended for Carpet Applications where no Threshold is Provided
- ▶ Specify Exact Net Length Required to Avoid Field Sizing
- ▶ 36" and Longer may be Cut up to 4" in the Field, under 36" should not be Cut in the Field, Order Net Length
- ▶ Furnished ½" Shorter than Ordered to Fit within Net Door Size. (i.e. 36" is Furnished 35 ½")
- ▶ Anodized Aluminum End Caps Furnished Standard. DKB End Caps Available - Please Specify
- ▶ Fits Wood Fire Door Mortise Restrictions
- ▶ Mortise Required 15/16" x 1 5/8"
- ▶ Available 11" to 48" in Length
- ▶ #4 x 5/8" SMS Furnished
- ▶ 7/8" Max Drop

#### Finish

Mill Aluminum



PROJECT:
SUBMITTED BY:
DATE:
NOTES:



NGP-GKT-683-PCS-1123-A

#### NATIONAL GUARD PRODUCTS, INC.

##### MEMPHIS

4985 East Raines Road  
Memphis, TN 38118

##### CARSON CITY

3689 Arrowhead Drive  
Carson City, NV 89706

Fax: (800) 255-7874

Email: info@ngp.com

Quotes: quotes@ngp.com

Orders: orders@ngp.com

**ngp.com**  
1-800-NGP-RUSH