



NATIONAL GUARD
PRODUCTS

STC Rated Acoustical Foam Pad 60FP

Material

Foam seal self adhesive

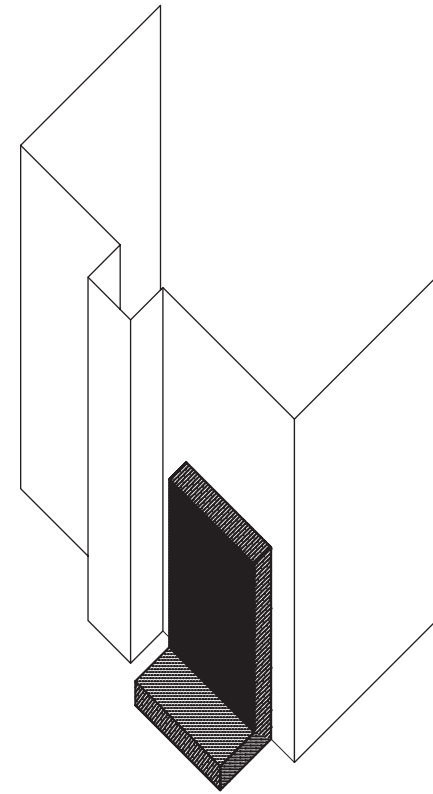
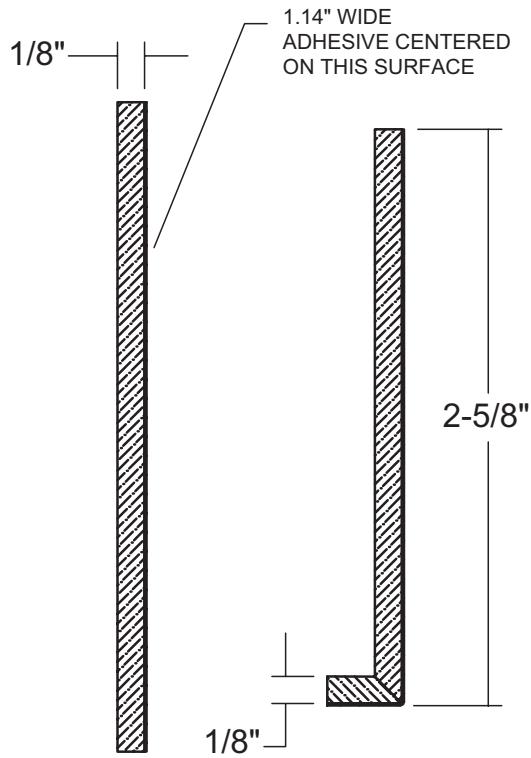
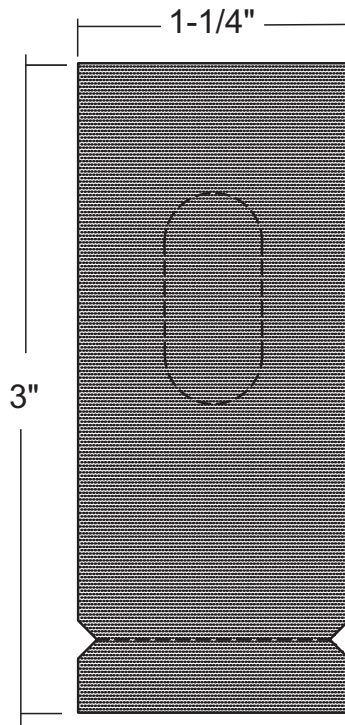
- Helps acoustics and seals at corner gap
- Apply to jambs on hinge and strike side
- Available as set of 2 pads

Color

Black



STC 52



Installed View

Project:

Submitted by:

Date:

Notes: