



# 5X428E X 425E

Floor Closer Threshold

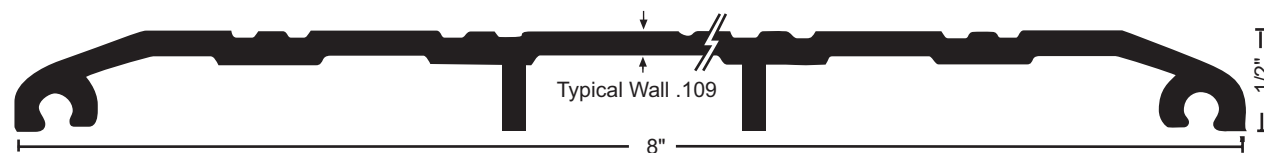
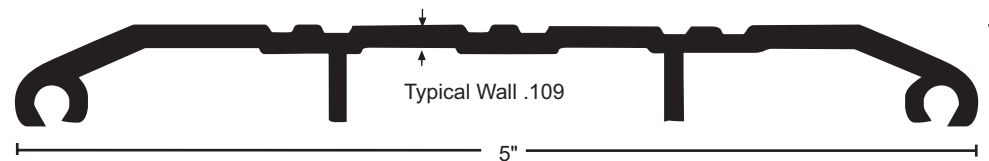
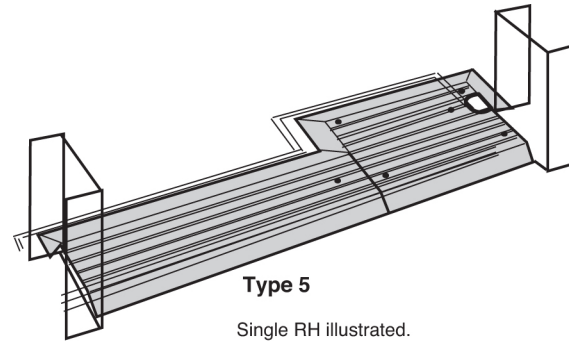
## PRODUCT CUT SHEET

PROJECT:
SUBMITTED BY:
DATE:
NOTES:

### Material

Aluminum Alloy 6063, T5 Temper

- ▶ 8" Wide at Floor Closer, Balance 5" Wide x 1/2" Tall x 36" Length
- ▶ Fluted Top
- ▶ BHMA Certified to ANSI/BHMA A156.21 1,000 Lb. Load Test
- ▶ Thresholds Can Be Fabricated For Use With Any Floor Closer
- ▶ Typical Wall Thickness: .109"
- ▶ Weight: .80 Lbs./Ft.
- ▶ #10 x 1 1/2" FH Zinc Plated Wood Screws Included. Dark Bronze Supplied With DKB Thresholds



### Finishes

Mill Finish

DKB - Dark Bronze Finish



Optional Slip Resistant

SIA Finish



**BHMA**  
CERTIFIED

NGP-THR-5X428E X 425E-PCS-0321-A