



5X427E X 424E

Floor Closer Threshold

PRODUCT CUT SHEET

PROJECT:
SUBMITTED BY:
DATE:
NOTES:

Material

Aluminum Alloy 6063, T5 Temper

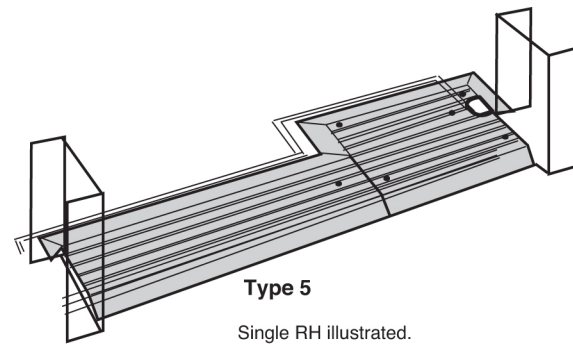
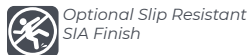
- ▶ 7" Wide at Floor Closer, Balance 4" Wide x 1/2" Tall x 36" Length
- ▶ Fluted Top
- ▶ BHMA Certified to ANSI/BHMA A156.21 1,000 Lb. Load Test
- ▶ Thresholds Can Be Fabricated For Use With Any Floor Closer
- ▶ Typical Wall Thickness: .109"
- ▶ Weight: .60 Lbs./Ft.
- ▶ #10 x 1 1/2" FH Zinc Plated Wood Screws Included.
Dark Bronze Supplied With DKB Thresholds

Finishes

Mill Finish

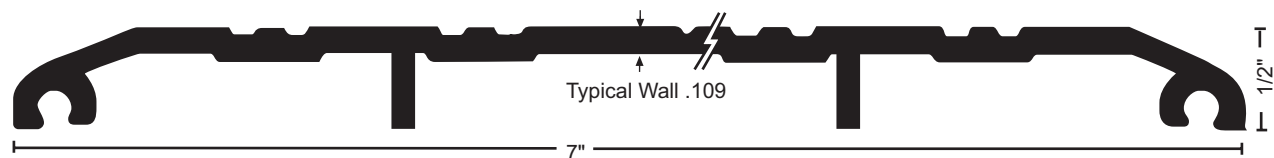
DKB - Dark Bronze Finish

Options



Type 5

Single RH illustrated.



NGP-THR-5X427E X 424E-PCS-1023-A

NATIONAL GUARD PRODUCTS, INC.

MEMPHIS

4985 East Raines Road
Memphis, TN 38118

CARSON CITY

3689 Arrowhead Drive
Carson City, NV 89706

Fax: (800) 255-7874
Email: info@ngp.com

Quotes: quotes@ngp.com
Orders: orders@ngp.com

ngp.com
1-800-NGP-RUSH