



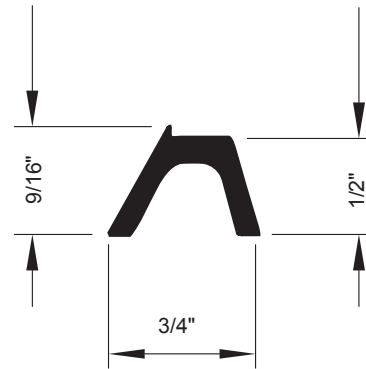
Elevator 58



Materials & Finishes

Aluminum alloy 6063, T5 temper
Mill finish
DKB - dark bronze finish

- 1/2" tall
- Used under Threshold to increase the rise of the threshold or accommodate offset floor conditions
- Weight: .16 lbs./ft.



Project:
Submitted by:
Date:
Notes: